

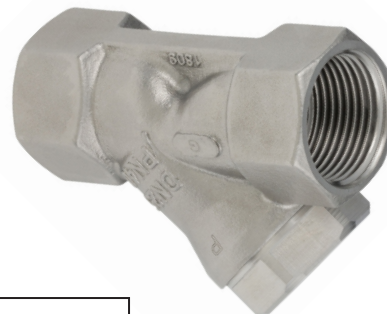
Line Strainer 4005



DN 10 up to DN 80

Protecting installations from contamination

- All parts in contact with medium made from stainless steel (1.4408 or 1.4301)
- Compact design
- Easy replacement of the sieve



Technical Information

Nominal sizes	angle seat body rectangular body flange body	DN 10 - DN 80 DN 15 - DN 50 DN 15 - DN 80
Body material	stainless steel 1.4408	
Material inner parts	stainless steel 1.4571 or 1.4310	
Material mesh	stainless steel 1.4301	
Connections	whitworth-thread acc. ISO 228-1 NPT-thread welding ends according 11850-Series 2 or ISO 1127 - B Tri-Clamp flanges according EN 1092-1: PN 40 flanges according ASME B16.5: ANSI 150	
Nominal pressure	PN 40	
pressure limitation	limitation for dangerous gases acc. Pressure equipment directive 2014/68/EU (category I): $PS \times DN < 1000$	
Temperature range	-40°C to +200°C	

Available mesh sizes

	DN15	DN20	DN25	DN32	DN40	DN50	DN65	DN80
0,25mm (Standard)	x	x	x	x	x	x	x	x
0,15mm	x	x	x	x	x	x		
0,8mm	x	x	x	x	x	x	x	

Ordering Number System

4 0 0 5 / V 1 2 3 4 5 6 7 8 9

1 - 5: Please quote all 5 sections.

6 - 9: Quote only if required.

Type		Size		Symbol: "V": Valve		"R": Repair kit (sealings)	
------	--	------	--	--------------------	--	----------------------------	--

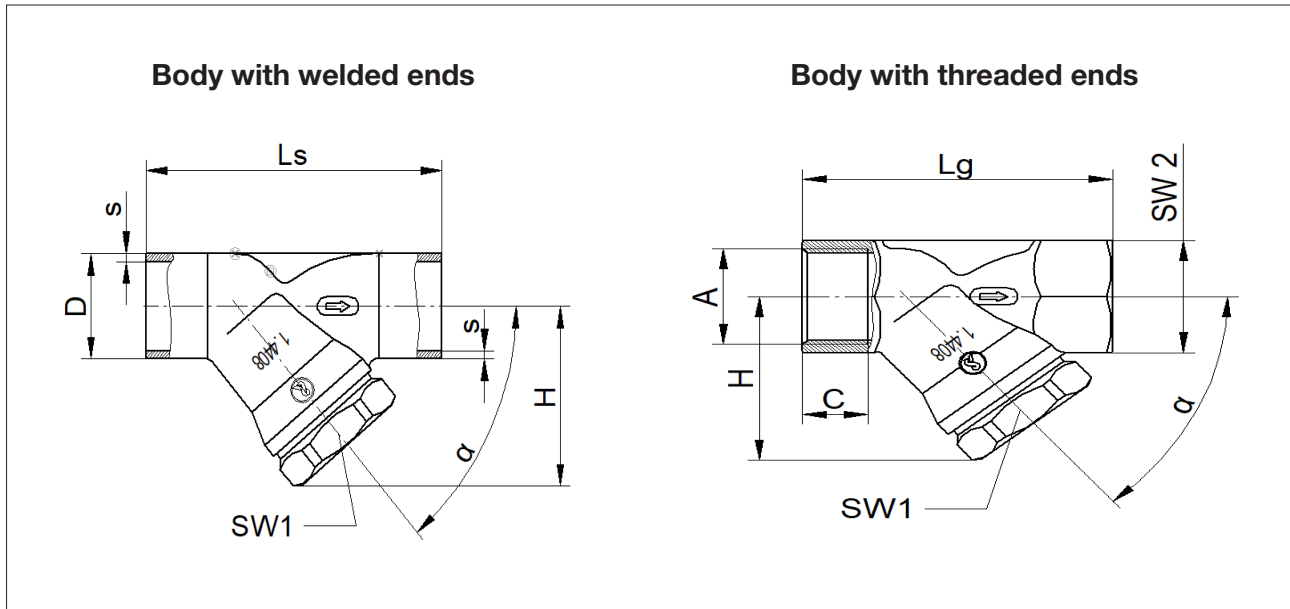
1.	Body type	2.	Connection	3.	Body material	4.	Mesh size	5.	Pilot function	6.	Sealing	7.	Body	8.	Upper part	9.	Special versions
1	angled body	0	thread acc. DIN 2999 / ISO 228	2	stainless steel	0	standard 0,25mm	S	line strainer (please quote)	-	standard	-	standard	-	standard	S	special versions
3	flanged body ANSI150					2	0,15mm			9	sealing for head section Klinger-Top-chem 2000						
7	rectangular	5	NPT-thread			3	0,8mm										
9	flanged body PN40	6	without thread														
		D	welding ends acc. DIN 11850														
		H	welding ends acc. ISO														
		Z	Tri-Clamp acc. inch														

Ordering example: 4005/020V1020S
 line strainer 4005, DN 20, connection whitworth-thread, body material stainless steel, mesh size 0,25mm

Line Strainer 4005

Dimensions and Weights

Angle seat body



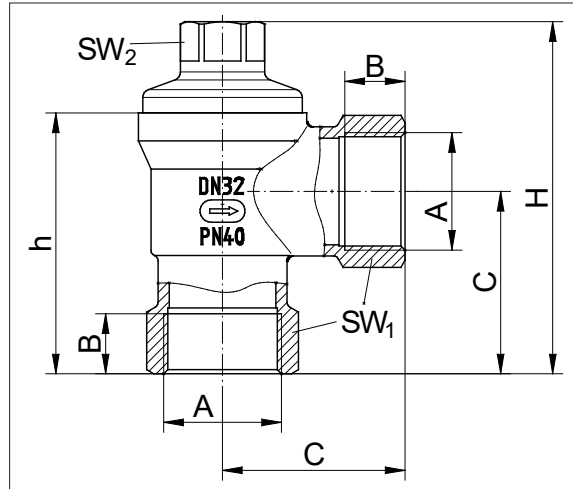
DN	with welding ends acc. ISO			with G-thread				Alpha	H	SW1	Kvs value	Weight [kg]
	D	s	Ls	A	C	SW2	Lg					
10	-	-	-	3/8"	12	23	60	50°	40,8	27	1,0	0,17
15	21,3	2	80	1/2"	15	25	65	50°	40,5	27	2,5	0,17
20	26,9	2,3	90	3/4"	16,3	31	75	50°	48	32	5,0	0,28
25	33,7	2,6	100	1"	19,1	39	90	50°	57,5	36	8,5	0,5
32	42,6	2,6	110	1 1/4"	21,4	48	110	50°	70,5	36	15	0,82
40	48,3	2,6	120	1 1/2"	21,4	65	120	50°	73	36	20	1,1
50	60,3	2,9	150	2"	25,7	68	150	50°	88,5	36	30	1,7
65	76,1	2,9	180	2 1/2"	30,2	85	180	50°	111	36	52	3,5
80	88,9	3,2	220	3"	33,5	100	214	45°	125,5	41	83	5,5

Dimensions in mm

Line Strainer 4005

Dimensions and Weights

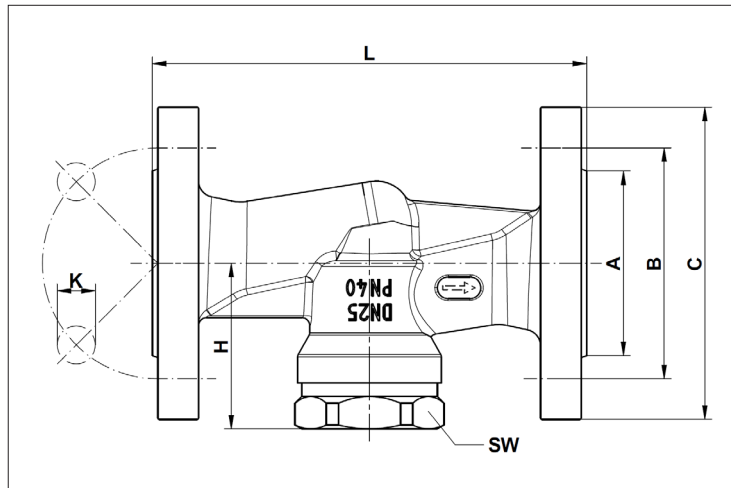
Rectangular body



DN	with G-thread		with NPT-thread		C	SW1	SW2	h	H	Weight [kg]
	A	B	A	B						
15	G 1/2"	15	NPT 1/2"	14,5	41	25	32	64	75	1,3
20	G 3/4"	16,3	NPT 3/4"	15	41	32	36	66	88,5	1,7
25	G 1"	19,1	NPT 1"	17,9	41	41	36	67,5	95,5	2,0
32	G 1 1/4"	21,4	NPT 1 1/4"	18,4	65	50	27	93	125,5	2,2
40	G 1 1/2"	21,4	NPT 1 1/2"	18,4	65	55	36	101	140	3,4
50	G 2"	25,7	NPT 2"	18,4	65	68	36	116	166,5	5,3

Dimensions in mm

Flanged body



DN	Flanges acc. EN 1092-1; Face to face dimension acc. EN 558-1						Flanges acc. ASME B16.5; Face to face dimension acc. ANSI/ISA-75.08.01						H	SW	Weight [kg]
	L	C	B	A	N (Number of holes)	K	L	C	B	A	N (Number of holes)	K			
15	130	95	65	45	4	14	184	35,1	60,5	88,9	4	15,7	44	32	1,7
20	150	105	75	58	4	14	184	42,9	69,9	98,6	4	15,7	52	36	2,7
25	160	115	85	68	4	14	184	50,8	79,2	108	4	15,7	62	36	3,3
32	180	140	100	78	4	18	200	63,5	88,9	117,3	4	15,7	67	27	5,9
40	200	150	110	88	4	18	222	73,2	98,6	127	4	15,7	74	36	6,7
50	230	165	125	102	4	18	254	91,9	120,7	152,4	4	19,1	97	36	8,1
65	290	122	145	122	8	18	-	-	-	-	-	-	142	-	19,7
80	310	138	160	138	8	18	-	-	-	-	-	-	178	-	25,7

Dimensions in mm

Text and pictures are not-binding. We reserve the right, to alter the equipment.