

# Angle Seat Valve 7010

Hygienic-Version

DN 15 up to DN 50 PN 40



**Pneumatically operated angle seat valve for the control of neutral, slightly aggressive and highly aggressive media.**

- Compact design
- For temperatures from -30°C up to +200°C
- Working pressure up to 12 bar
- Versatile actuator options
- Avoiding of wake spaces
- Facile cleanable

## Technical Information

Body material	stainless steel, electro polished
Nominal size	DN 15 up to DN 50
Connection	
Welding end acc. DIN	1/2" - 2"
Nominal pressure	PN 40
Max. fluid temperature	- 30°C up to + 170°C, optional up to + 200°C
Ambient temperature	- 30°C up to + 60°C
Viscosity of the fluid	maximum 600 mm <sup>2</sup> /s (600cSt, 80°E)
Vaccum	maximum 0,001 bar abs
Packing	underneath
Leakage acc. EN 12266-1	leakage class A
Packing leakage	tested according to TA-Luft as defined in DIN EN ISO 15848-1 and VDI 2440

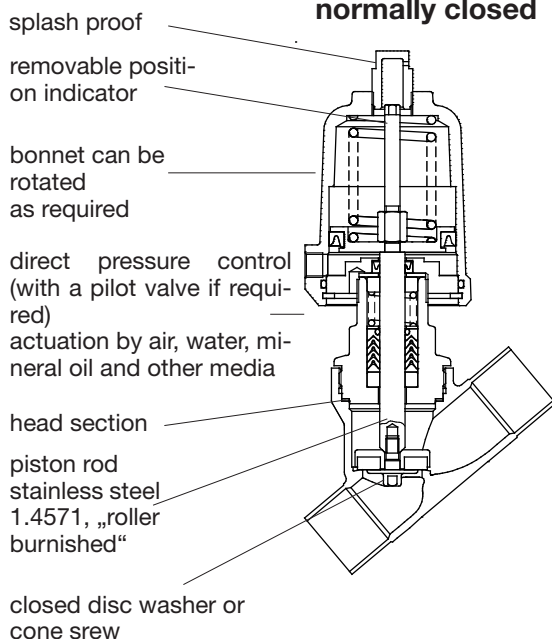
\*: Please consider further temperature versions and limits in technical bulletin 32



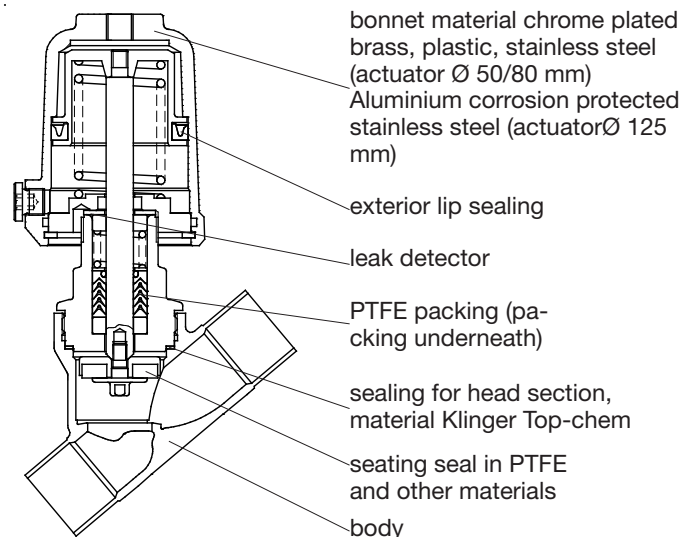
## Options and accessories

- e. g.:
- limit switches
  - pilot valves
  - manual override
  - oil and grease free version
  - PTFE free version
  - ASI-Bus

### normally closed



### normally open

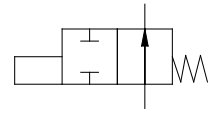


# Angle Seat Valve 7010

## Hygienic-Version

### Function „spring closes“, closing with flow

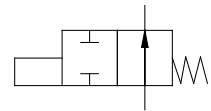
- Angled seat valve closing with the flow, spring closes
- Use preferably for gaseous fluids
- With liquids waterhammers are possible



Seating seal PTFE, EPDM, FKM, NBR or Vulkolan

Nominal Size	Actuator	Max. differential pressure [bar] at available pilot pressure [bar]																
		2	2,5	3	3,5	4	4,5	5	5,5	6	6,5	7	7,5	8	8,5	9	9,5	10
DN15	D50	0	0	12	12	12	12	12	12	12	12	12	12	12	12	12	12	12
DN20	D50	0	0	8,7	12	12	12	12	12	12	12	12	12	12	12	12	12	12
	D80	12	12	12	12	12	12	12	12	12	12	12	12	12	12	12	12	12
DN25	D50	0	0	5,2	7,7	10	12	12	12	12	12	12	12	12	12	12	12	12
	D80	12	12	12	12	12	12	12	12	12	12	12	12	12	12	12	12	12
DN32	D50	0	0	3	4,4	5,9	7,3	8,7	10	11,5	12	12	12	12	12	12	12	12
	D80	8	11,5	12	12	12	12	12	12	12	12	12	12	12	12	12	12	12
	D125	12	12	12	12	12	12	12	12	12	12	12	12	12	12	12	12	12
DN40	D50	0	0	0	2,4	3,4	4,3	5,3	6,3	7,2	8,2	9,2	10	11	12	12	12	12
	D80	0	5,1	7,7	10	12	12	12	12	12	12	12	12	12	12	12	12	12
	D125	12	12	12	12	12	12	12	12	12	12	12	12	12	12	12	12	12
DN50	D50	0	0	0	1,4	2	2,6	3,2	3,9	4,5	5,1	5,7	6,3	6,9	7,5	8	8	8
	D80	0	3,6	5,2	6,8	8,4	10	11,5	12	12	12	12	12	12	12	12	12	12
	D125	8,3	12	12	12	12	12	12	12	12	12	12	12	12	12	12	12	12

### Function „spring opens“, closing against flow



Seating seal PTFE, EPDM, FKM, NBR or Vulkolan

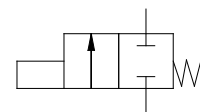
Nominal size	Actuator	Max. differential pressure [bar] at available pilot pressure [bar]																
		2	2,5	3	3,5	4	4,5	5	5,5	6	6,5	7	7,5	8	8,5	9	9,5	10
DN15	D50	0	0	6,6	12	12	-	-	-	-	-	-	-	-	-	-	-	-
DN20	D50	0	0	0,6	4,1	7,6	11	12	12	-	-	-	-	-	-	-	-	-
	D80	12	-	-	-	-	-	-	-	-	-	-	-	-	-	-	-	-
DN25	D50	0	0	0	1,2	3,3	5,3	7,4	9,5	11,5	12	12	-	-	-	-	-	-
	D80	10	12	-	-	-	-	-	-	-	-	-	-	-	-	-	-	-
DN32	D50	0	0	0	0,3	1,6	2,8	4,1	5,4	6,7	8	9,3	10,5	11,5	12	12	-	-
	D80	5,6	9	12	12	-	-	-	-	-	-	-	-	-	-	-	-	-
DN40	D50	0	0	0	0	0,8	1,7	2,6	3,5	4,4	5,3	6,2	7,1	8	8,9	9,8	10,5	11,5
	D80	3,4	5,8	8,1	10,5	12,5	15	17,5	19,5	22	24,5	26,5	29	31,5	34	36	38,5	40
	D125	12	-	-	-	-	-	-	-	-	-	-	-	-	-	-	-	-
DN50	D50	0	0	0	0	0,3	0,8	1,4	2	2,6	3,2	3,7	4,3	4,9	5,5	6	6,6	7,2
	D80	1,7	3,2	4,7	6,2	7,7	9,2	10,5	12	12	-	-	-	-	-	-	-	-
	D125	10	12	-	-	-	-	-	-	-	-	-	-	-	-	-	-	-

Actuator D50: max. pilot pressure 1 bar above the required pilot pressure  
 Actuator D80: max. pilot pressure 0,8 bar above the required pilot pressure  
 Actuator D125 and D250: max. pilot pressure 0,5 bar above the required pilot pressure

# Angle Seat Valve 7010

## Hygienic-Version

### Function „spring closes“, closing against flow

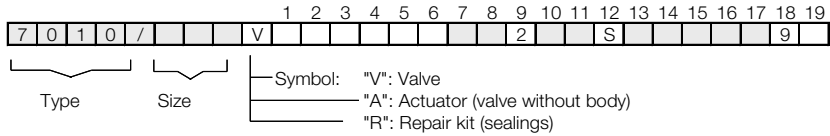


Nominal size	actuator	Springs	differential pressure [bar]	pilot pressure [bar]
DN15	D50	1	12	3,5 - 10
		2	12	4,5 - 10
	D80	1	12	3,5 - 10
DN20	D50	1	6,9	3,5 - 10
		2	12	4,5 - 10
		3	12	5,7 - 10
	D80	1	12	3,5 - 10
		2	12	4,4 - 10
DN25	D50	1	2,4	3,5 - 10
		2	5,7	4,5 - 10
		3	9,1	5,7 - 10
	D80	1	12	3,5 - 10
		2	12	4,4 - 10
		3	12	5,6 - 10
	D125	1	12	1,3 - 10
		2	12	2,2 - 10
DN32	D50	1	1	3,5 - 10
		2	3,1	4,5 - 10
		3	5,1	5,7 - 10
	D80	1	12	3,5 - 10
		2	12	4,4 - 10
		3	12	5,6 - 10
	D125	1	10,5	1,3 - 10
		2	12	2,2 - 10
		3	12	3,1 - 10
	D250	8	12	2,7 - 6
DN40	D50	2	1,9	4,5 - 10
		3	3,3	5,7 - 10
	D80	1	7,9	3,5 - 10
		2	11	4,4 - 10
		3	12	5,6 - 10
	D125	1	7	1,3 - 10
		2	12	2,2 - 10
3		12	3,1 - 10	
DN50	D50	2	1	4,5 - 10
		3	1,9	5,7 - 10
	D80	1	4,1	3,5 - 10
		2	5,9	4,4 - 10
		3	7,8	5,6 - 10
	D125	1	3,8	1,3 - 10
		2	9	2,3 - 10
		3	12	3,1 - 10

 = Standard spring configuration

## Hygienic-Version

### Ordering Number System



Pos. 9 (packing underneath)  
Pos.18 (sealing f. head section Klinger Top-chem)  
Pos.19 splash proof D50 D80/125  
must always be quoted

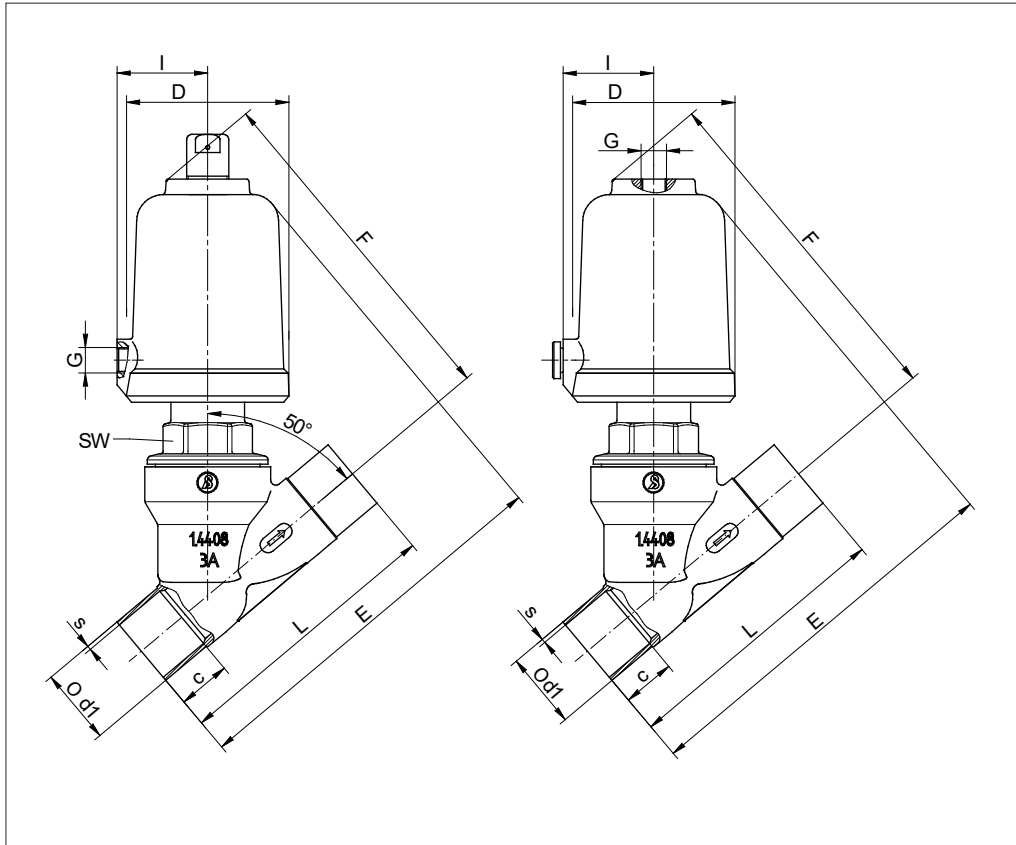
1. Body type	2. Connection	3. Body material	4. Seating seal	5. Pilot function	6. Actuator
1 angle body	D welding ends acc. DIN 11850	A stainless steel 1.4408 hygiene version	0 PTFE	0 NC (closing with flow) 1 NO (closing against flow) 2 NC (closing against flow) 3 Universal, double acting	0 piston Ø50mm 1 piston Ø80mm 2 piston Ø125mm K plastic bonnet (piston Ø50mm) plastic bonnet (piston Ø80mm) M
7. Springs	8. Head section material	9. Packing	10. Temperature version	11. Accessories	12. Special versions
- standard 1 1 spring 2 2 springs 3 3 springs	- standard	2 packing underneath	- Standard H high temperature version	- no accessories 1 electrical position indica- tor with one switch 2 electrical position indica- tor with two switches 3 manual emergency operation 4 additional manual ope- ration 5 stroke limitation 6 pilot valve DN 2, 230 V AC 7 pilot valve DN 2, 24 V DC K electr. position indicator compact M position indicator with two ind. switch 10 - 36 V DC (PNP) P position indicator with one ind. switch 10 - 36 V DC (PNP) T position indicator com- pact, inductive 10 - 30 V DC (PNP)	S further special versions M position indicator with cable bus- hing N position indicator with plug connec- tion

**Ordering example:** 7010/025V1DA021--2--S-----92  
angle seat valve 7010, DN 25, connection welding ends acc. DIN 11850, stainless steel body -  
Hygienic-Version, PTFE seatmaterial, spring closes, closing against flow, actuator size 80 mm,  
packing underneath, sealing for head section Klinger Top-chem., splash proof D80/125

# Angle Seat Valve 7010

## Hygienic-Version

### Dimensions and Weights



DN	Actuator diameter	d1	s	C	L	normally closed		normally open		G	H	I	SW	Kvs-value	Weight kg
						E	F	E	F						
15	50	18	1,5	20	85	137	128	135	121,5	G1/8"	7	34,5	30	3,5	1,1
20	50	22	1,5	20	95	144	133	142	162,5	G1/8"	12	34,5	30	8	1,2
25	50	28	1,5	20	105	150	137,5	148	131	G1/8"	16	34,5	30	15	1,4
25	80	28	1,5	20	105	197,5	174,5	184	169	G1/4"	16	55	30	16	3
32	50	34	1,5	20	115	165	151,5	162,7	145	G1/8"	16	34,5	30	21	1,8
32	80	34	1,5	20	115	211	188,5	197,5	183	G1/4"	20	55	30	24	3,3
32	125	34	1,5	20	115	227,5	209	227,5	213	G1/4"	20	80	30	24	5,5
40	50	40	1,5	20	125	169	155,5	167	149	G1/8"	16	34,5	30	30	2,1
40	80	40	1,5	20	125	215,5	192,5	201,5	187	G1/4"	23	55	30	35	3,6
40	125	40	1,5	20	125	132,5	213	132,5	217	G1/4"	23	80	30	35	5,8
50	50	52	1,5	20	150	185,5	161,5	183	155	G1/8"	16	34,5	32	40	2,7
50	80	52	1,5	20	150	231,5	197,5	217,5	192	G1/4"	29	55	32	55	4,2
50	125	52	1,5	20	150	248	219	248	223	G1/4"	29	80	32	55	6,4

Dimensions in mm