

Angle Seat Valve 7010

Hygienic-Version

1/2" up to 2" 580 psi



Pneumatically operated angle seat valve for the control of neutral and aggressive gases, liquids and steam.

- Compact design
- For temperatures from -22°F up to +392°F
- Working pressure up to 174 psi
- Versatile actuators
- Avoiding of wake spaces
- Facile cleanable

Technical Information

Body material	SST 316, roller burnished
Nominal size	1/2" up to 2"
Connection	
Welding end acc. DIN	1/2" - 2"
Nominal pressure	580 psi
Max. fluid temperature	- 22°F up to + 338°F, optional up to + 392°F
Ambient temperature	- 22°F up to + 140°C
Viscosity of the fluid	600cSt, 80°E (maximum 600 mm ² /s)
Vaccum	maximum 0.0295 mercury (Hg)
Working pressure for packing underneath	
Leakage acc. EN 12266-1	leakage class A

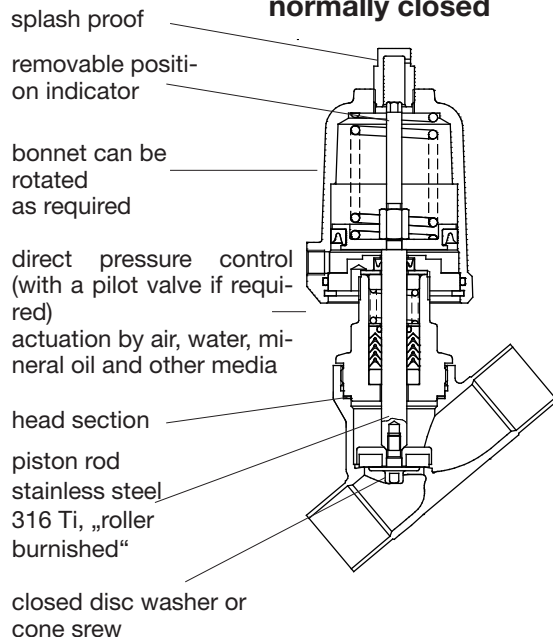
*: Please consider further temperature versions and limits in technical bulletin 32



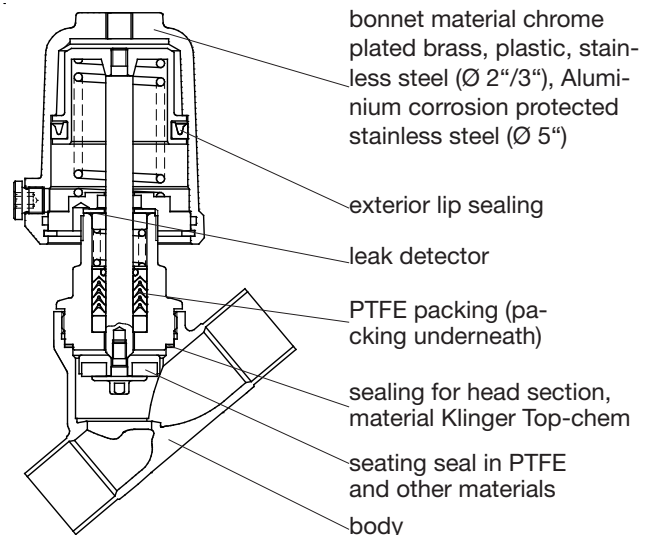
Options and accessories

- e. g.:
- limit switches
 - pilot valves
 - manual override
 - oil and grease free version
 - PTFE free version
 - ASI-Bus

normally closed



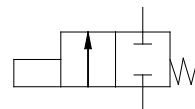
normally open



Angle Seat Valve 7010

Hygienic-Version

Function „spring closes“, closing against flow



Nominal size	actuator	Springs	differential pressure [psi]	pilot pressure [psi]
1/2"	2"	1	310	51 - 145
		2	500	66 - 145
	3"	1	580	51 - 145
3/4"	2"	1	100	51 - 145
		2	180	66 - 145
		3	275	83 - 145
	3"	1	580	51 - 145
		2	580	64 - 145
1"	2"	1	34	51 - 145
		2	82	66 - 145
		3	130	83 - 145
	3"	1	315	51 - 145
		2	435	64 - 145
		3	565	82 - 145
	5"	1	275	19 - 145
		2	580	32 - 145
1 1/4"	2"	1	14	51 - 145
		2	44	66 - 145
		3	73	83 - 145
	3"	1	180	51 - 145
		2	245	64 - 145
		3	315	82 - 145
	5"	1	150	19 - 145
		2	340	32 - 145
		3	485	45 - 145
	10"	8	580	40 - 87
1 1/2"	2"	2	27	66 - 145
		3	47	83 - 145
		1	110	51 - 145
	3"	2	155	64 - 145
		3	200	82 - 145
		1	100	19 - 145
	5"	2	220	32 - 145
		3	315	45 - 145
2"		2"	2	14
	3		27	83 - 145
	3"	1	59	51 - 145
		2	87	64 - 145
		3	110	82 - 145
	5"	1	55	19 - 145
		2	125	32 - 145
		3	180	45 - 145

 = Standard spring configuration

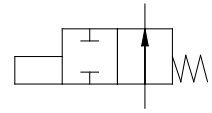
Angle Seat Valve 7010



Hygienic-Version

Function „spring closes“, closing with flow

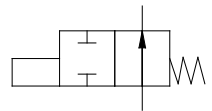
- Angled seat valve closing with the flow, spring closes
- Use preferably for gaseous fluids
- With liquids waterhammers are possible



Seating seal PTFE, EPDM, FKM, NBR or Vulkolan

Nominal Size	Actuator	Max. differential pressure [psi] at available pilot pressure [psi]												
		20	30	40	50	60	70	80	90	100	110	120	130	140
1/2"	2"	0	0	174	174	174	174	174	174	174	174	174	174	174
3/4"	2"	0	0	92	174	174	174	174	174	174	174	174	174	174
	3"	145	174	174	174	174	174	174	174	174	174	174	174	
1"	2"	0	0	58	105	155	174	174	174	174	174	174	174	174
	3"	80	174	174	174	174	174	174	174	174	174	174	174	
1 1/4"	2"	0	0	34	62	91	120	145	174	174	174	174	174	174
	3"	49	120	174	174	174	174	174	174	174	174	174	174	
	5"	174	174	174	174	174	174	174	174	174	174	174	174	
1 1/2"	2"	0	0	34	62	91	120	145	174	174	174	174	174	174
	3"	0	43	94	140	174	174	174	174	174	174	174	174	
	5"	70	174	174	174	174	174	174	174	174	174	174	174	
2"	2"	0	0	0	0	32	44	56	69	81	93	105	115	115
	3"	0	33	65	97	125	160	174	174	174	174	174	174	
	5"	50	125	174	174	174	174	174	174	174	174	174	174	

Function „spring opens“, closing against flow



Seating seal PTFE, EPDM, FKM, NBR or Vulkolan

Nominal size	Actuator ø	Max. differential pressure [psi] at available pilot pressure [psi]												
		20	30	40	50	60	70	80	90	100	110	120	130	140
1/2"	2"	0	0	47	170	170	-	-	-	-	-	-	-	-
3/4"	2"	0	0	0	54	120	170	170	-	-	-	-	-	-
	3"	115	170	-	-	-	-	-	-	-	-	-	-	
1"	2"	0	0	0	15	56	97	135	170	170	-	-	-	-
	3"	53	160	170	-	-	-	-	-	-	-	-	-	
1 1/4"	2"	0	0	0	2	28	54	79	105	130	155	170	170	-
	3"	21	89	155	170	-	-	-	-	-	-	-	-	
1 1/2"	2"	0	0	0	0	16	33	51	69	87	105	120	140	155
	3"	8	55	100	145	170	-	-	-	-	-	-	-	
	5"	135	170	-	-	-	-	-	-	-	-	-	-	
2"	2"	0	0	0	0	6	18	30	41	53	64	76	87	99
	3"	0	27	58	88	115	145	170	-	-	-	-	-	
	5"	80	155	-	-	-	-	-	-	-	-	-	-	

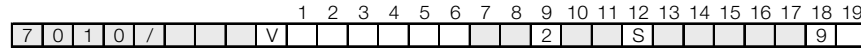
Actuator 2": max. pilot pressure 15 psi above the required pilot pressure
 Actuator 3": max. pilot pressure 12 psi above the required pilot pressure
 Actuator 5" and 10": max. pilot pressure 7 psi above the required pilot pressure

Angle Seat Valve 7010



Hygienic-Version

Ordering Number System



Model

Size

Symbol: "V": Valve
 "A": Actuator (valve without body)
 "R": Repair kit (sealings)

Pos. 9 (packing underneath)
 Pos.18 (sealing f. head section Klinger Top-chem)
 Pos.19 (splash proof D50 D80/125)
 must always be quoted

1.	Body type	2.	Connection	3.	Body material	4.	Seating seal	5.	Pilot function	6.	Actuator
1	angle body	Z	Tri clamp inch (ASME 1998)	A	stainless steel 316L hygiene version	0	PTFE	0	NC (closing with flow)	7	piston 2" (NPT)
								1	NO (closing against flow)	8	piston 3" (NPT)
								2	NC (closing against flow)	9	piston 5" (NPT)
								3	universal, double acting	P	plastic bonnet for piston 2" (NPT)
										S	plastic bonnet for piston 3" (NPT)
											For stainless steel actuator choose size 7, 8, 9 For metric air connection please consult factory
7.	Springs	8.	Head section material	9.	Packing	10.	Temperature version	11.	Accessories	12.	Special versions
-	standard	-	standard	2	inverted vacuum	-	Standard (338°F bronze, stainless steel)	-	no accessories	S	further special versions
1	1 spring							1	electr. pos. indicator + 1 switch	M	position indicator with cable bushing
2	2 springs							2	electr. pos. indicator + 2 switches	N	position indicator with plug connection
3	3 springs					H	high temperature version	3	manual emergency operation		
								4	add. manual operation		
								5	stroke limitation		
								6	pilot valve DN2, 230V AC		
								7	pilot valve DN2, 24V DC		
								K	electr. pos. indicator compact		

Ordering example: 7010/025V1ZA028--2--S-----92
 angle seat valve 7010, 1", connection Tri clamp, stainless steel body - Hygienic-Version, PTFE seatmaterial, spring closes, closing against flow, piston 3" (NPT), inverted vacuum, sealing for head section Klinger Top-chem.

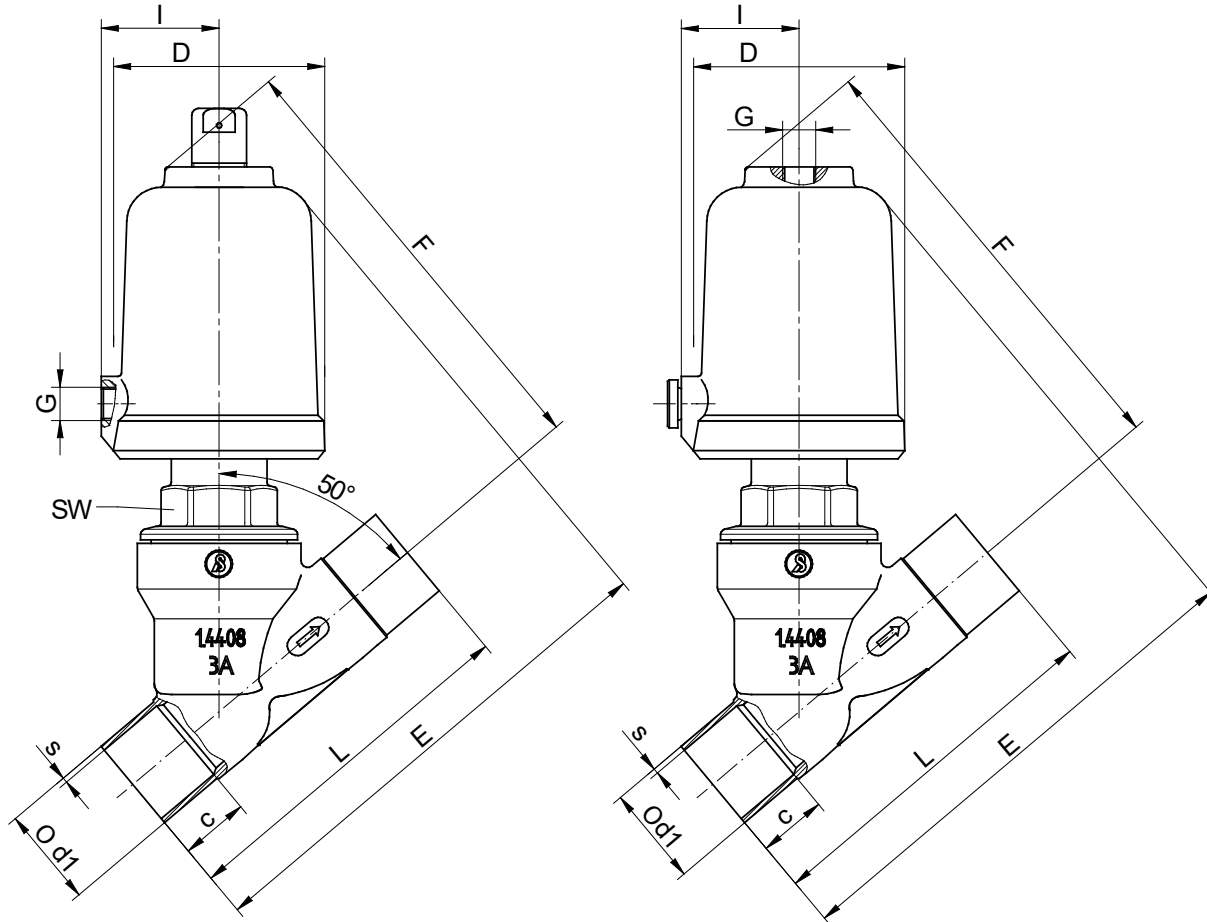
Text and pictures are not binding. We reserve the right to alter the equipment.

Angle Seat Valve 7010



Hygienic-Version

Dimensions and Weights



Size	Actuator diameter	d1	s	C	L	normally closed		normally open		G	H	I	SW	Cvs-value	Weight lbs
						E	F	E	F						
1/2"	2"	0.71	0.06	0.79	3.35	5.39	5.04	5.31	4.78	G1/8"	0.28	1.36	1.18	4.1	2.4
3/4"	2"	0.87	0.06	0.79	3.74	5.67	5.24	5.59	6.4	G1/8"	0.47	1.36	1.18	9.3	2.6
1"	2"	1.1	0.06	0.79	4.13	5.91	5.41	5.83	5.16	G1/8"	0.63	1.36	1.18	17.4	3.1
1"	3"	1.1	0.06	0.79	4.13	7.78	6.87	7.24	6.65	G1/4"	0.63	2.17	1.18	18.6	6.6
1 1/4"	2"	1.34	0.06	0.79	4.53	6.5	5.96	6.41	5.71	G1/8"	0.63	1.36	1.18	24.4	4
1 1/4"	3"	1.34	0.06	0.79	4.53	8.31	7.42	7.78	7.2	G1/4"	0.79	2.17	1.18	27.8	7.3
1 1/4"	5"	1.34	0.06	0.79	4.53	8.96	8.23	8.96	8.39	G1/4"	0.79	3.15	1.18	27.8	12.1
1 1/2"	2"	1.57	0.06	0.79	4.92	6.65	6.12	6.57	5.87	G1/8"	0.63	1.36	1.18	34.8	4.6
1 1/2"	3"	1.57	0.06	0.79	4.92	8.48	7.58	7.93	7.36	G1/4"	0.91	2.17	1.18	40.6	7.9
1 1/2"	5"	1.57	0.06	0.79	4.92	5.22	8.39	5.22	8.54	G1/4"	0.91	3.15	1.18	40.6	12.8
2"	2"	2.05	0.06	0.79	5.91	7.3	6.36	7.2	6.1	G1/8"	0.63	1.36	1.26	46.4	5.9
2"	3"	2.05	0.06	0.79	5.91	9.11	7.78	8.56	7.56	G1/4"	1.14	2.17	1.26	63.8	9.2
2"	5"	2.05	0.06	0.79	5.91	9.76	8.62	9.76	8.78	G1/4"	1.14	3.15	1.26	63.8	14.1

Text and pictures are not binding. We reserve the right to alter the equipment.

*Dimensions in inch