

Pad mounted valve 7033

For valve block

DN10, DN15, DN20, DN32; PN40

Pneumatically actuated valves for mounting on valve blocks.

- Compact design
- Unaffected by lightly contaminated media
- For temperatures from -100°C up to +220°C
- Working pressures up to 40 bars
- Rotatable actuator
- Customised settings



Technical Information

| | |
|--|---|
| Nominal sizes | DN 10, DN 15, DN 20, DN32 |
| Body material | 1.4408 (CF8M) |
| Nominal pressure | PN 40 |
| Max. fluid temperature: with metal bonnet | -30°C up to +170°C, opt. -100°C up to +220°C |
| with plastic bonnet | -30°C up to +135°C |
| diaphragm act. stainless steel | -30°C up to +200°C, opt. -30°C up to +220°C |
| Ambient temperature | -15°C up to +60°C (special versions from -40°C up to +100°C possible) |
| Seat diameter | DN10: 12,5mm, DN15: 12,5mm, DN20: 18mm, DN32: 30mm |
| Viscosity of media | maximum 600 mm ² /s (600cSt, 80°E) |
| Vakuum | maximum 0,001 bar abs |
| working pressure | See tables and diagrams, limitation for dangerous gases acc. Pressure equipment directive 2014/68/EU (category I): PS x DN < 1000 |
| Working pressure for packing underneath | maximum 12 bar |
| Working pressure for bellows | maximum 16 bar |
| Leakage acc. EN 12266-1 | leakage class A |

Options and accessories

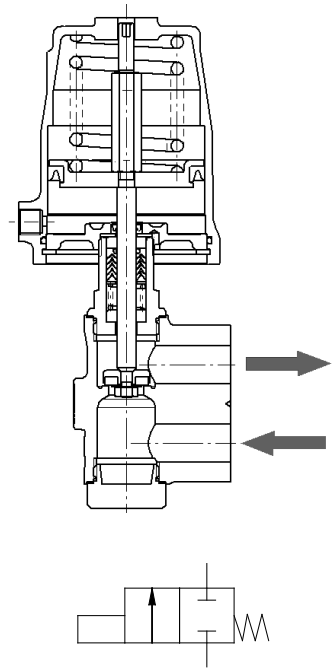
- Stroke limitation
- Manual emergency operation
- El. position indicator with inductive or mechanical limit switches
- Pilot valves
- AS-I control head
- Feedback unit for inductive limit switches
- Version for higher pilot pressures
- ...

Pad mounted valve 7033

Pilot- and differential pressures

Spring closes (closing against the flow)

| Nominal size | Version | Actuator | Springs | Max. differential pressure [bar] | | | Pilot pressure [bar] |
|--------------|----------|----------|---------|----------------------------------|--------|--------|----------------------|
| | | | | PTFE | PEEK 7 | PEEK 8 | |
| DN10 | Standard | D50 | 1 | 15,5 | - | 11 | 3,5 - 10 |
| | | | 2 | 27,5 | 4,9 | 23 | 4,5 - 10 |
| | | | 3 | 40 | 17 | 35,5 | 5,7 - 10 |
| | | D80 | 1 | 40 | 40 | 40 | 3,5 - 10 |
| DN15 | Standard | D50 | 1 | 15,5 | - | 11 | 3,5 - 10 |
| | | | 2 | 27,5 | 4,9 | 23 | 4,5 - 10 |
| | | | 3 | 40 | 17 | 35,5 | 5,7 - 10 |
| | | D80 | 1 | 40 | 40 | 40 | 3,5 - 10 |
| DN20 | Standard | D50 | 1 | 5,1 | - | 1,8 | 3,5 - 10 |
| | | | 2 | 10,5 | - | 7,4 | 4,5 - 10 |
| | | | 3 | 16 | - | 13 | 5,7 - 10 |
| | | D80 | 1 | 38,5 | 22 | 35 | 3,5 - 10 |
| | | | 2 | 40 | 35,5 | 40 | 4,4 - 10 |
| | | | 3 | 40 | 40 | 40 | 5,6 - 10 |
| DN32 | Standard | D50 | 1 | 1 | - | - | 3,5 - 10 |
| | | | 2 | 3,1 | - | 1,1 | 4,5 - 10 |
| | | | 3 | 5,1 | - | 3,1 | 5,7 - 10 |
| | | D80 | 1 | 11,5 | 1,8 | 9,7 | 3,5 - 10 |
| | | | 2 | 16 | 6,3 | 14 | 4,4 - 10 |
| | | | 3 | 21 | 11 | 19 | 5,6 - 10 |
| | | D125 | 1 | 10 | 0,6 | 8,4 | 1,3 - 10 |
| | | | 2 | 22,5 | 13 | 20,5 | 2,2 - 10 |
| | | | 3 | 32 | 22 | 30 | 3,1 - 10 |
| | | | 4 | 36 | 26,5 | 34 | 4,0 - 10 |



PEEK 7: Seating seal made of PEEK for use below 160°C

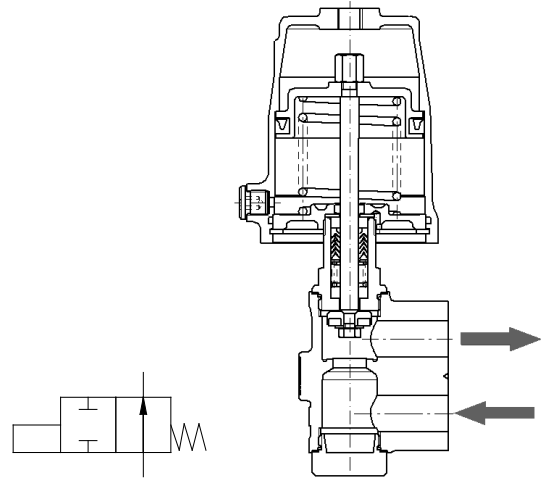
PEEK 8: Seating seal made of PEEK for use above 160°C

For soft seals such as EPDM, FKM, NBR or Vulkolan, the same values apply as for PTFE

Pad mounted valve 7033

Pilot- and differential pressures

Function „spring opens“, closing against flow



Seating seal PTFE, EPDM, FKM, NBR or Vulkolan

| Nominal size | Version | Actuator | Max. differential pressure [bar] at available pilot pressure [bar] | | | | | | | | | | | | | | | | |
|--------------|----------|----------|--|------|------|-----|------|-----|------|------|-----|------|-----|------|------|------|----|------|----|
| | | | 2 | 2,5 | 3 | 3,5 | 4 | 4,5 | 5 | 5,5 | 6 | 6,5 | 7 | 7,5 | 8 | 8,5 | 9 | 9,5 | 10 |
| DN10 | Standard | D50 | 0 | 0 | 3,2 | 10 | 17 | 24 | 31 | 38 | 40 | 40 | - | - | - | - | - | - | |
| | | D80 | 40 | 40 | - | - | - | - | - | - | - | - | - | - | - | - | - | - | |
| DN15 | Standard | D50 | 0 | 0 | 3,2 | 10 | 17 | 24 | 31 | 38 | 40 | 40 | - | - | - | - | - | - | |
| | | D80 | 40 | 40 | - | - | - | - | - | - | - | - | - | - | - | - | - | - | |
| DN20 | Standard | D50 | 0 | 0 | 0 | 3 | 6,5 | 10 | 13 | 16,5 | 20 | 23,5 | 27 | 30,5 | 34 | 37,5 | 40 | 40 | |
| | | D80 | 18 | 27,5 | 36,5 | 40 | - | - | - | - | - | - | - | - | - | - | - | - | |
| DN32 | Standard | D50 | 0 | 0 | 0 | 0,3 | 1,6 | 2,8 | 4,1 | 5,4 | 6,7 | 8 | 9,3 | 10,5 | 11,5 | 13 | 14 | 15,5 | |
| | | D80 | 5,3 | 8,7 | 12 | 15 | 18,5 | 22 | 25,5 | 28,5 | 32 | 35,5 | 39 | 40 | - | - | - | - | |
| | | D125 | 24 | 32,5 | 40 | - | - | - | - | - | - | - | - | - | - | - | - | - | |

Seating seal PEEK-8 (for use above 160°C)

| Nominal size | Version | Actuator | Max. differential pressure [bar] at available pilot pressure [bar] | | | | | | | | | | | | | | | | |
|--------------|----------|----------|--|------|------|-----|------|------|------|------|-----|------|-----|------|-----|------|------|------|----|
| | | | 2 | 2,5 | 3 | 3,5 | 4 | 4,5 | 5 | 5,5 | 6 | 6,5 | 7 | 7,5 | 8 | 8,5 | 9 | 9,5 | 10 |
| DN10 | Standard | D50 | 0 | 0 | 0 | 5,6 | 12,5 | 19,5 | 26,5 | 33,5 | 40 | 40 | - | - | - | - | - | - | |
| | | D80 | 36,5 | 40 | - | - | - | - | - | - | - | - | - | - | - | - | - | - | |
| DN15 | Standard | D50 | 0 | 0 | 0 | 5,6 | 12,5 | 19,5 | 26,5 | 33,5 | 40 | 40 | - | - | - | - | - | - | |
| | | D80 | 36,5 | 40 | - | - | - | - | - | - | - | - | - | - | - | - | - | - | |
| DN20 | Standard | D50 | 0 | 0 | 0 | 0 | 3,3 | 6,7 | 10 | 13,5 | 17 | 20,5 | 24 | 27,5 | 31 | 34,5 | 37,5 | 40 | |
| | | D80 | 15 | 24 | 33 | 40 | 40 | - | - | - | - | - | - | - | - | - | - | - | |
| DN32 | Standard | D50 | 0 | 0 | 0 | 0 | 0 | 0,9 | 2,2 | 3,4 | 4,7 | 6 | 7,3 | 8,6 | 9,9 | 11 | 12 | 13,5 | |
| | | D80 | 3,4 | 6,7 | 10 | 13 | 16,5 | 20 | 23,5 | 26,5 | 30 | 33,5 | 37 | 40 | 40 | - | - | - | |
| | | D125 | 22 | 30,5 | 38,5 | 40 | - | - | - | - | - | - | - | - | - | - | - | - | |

Seat seal PEEK-7 (for use below 160°C)

| Nominal size | Version | Actuator | Max. differential pressure [bar] at available pilot pressure [bar] | | | | | | | | | | | | | | | | |
|--------------|----------|----------|--|------|------|------|------|-----|------|-----|-----|------|----|------|------|------|----|------|----|
| | | | 2 | 2,5 | 3 | 3,5 | 4 | 4,5 | 5 | 5,5 | 6 | 6,5 | 7 | 7,5 | 8 | 8,5 | 9 | 9,5 | 10 |
| DN10 | Standard | D50 | 0 | 0 | 0 | 0 | 0 | 1,3 | 8,3 | 15 | 22 | 29 | 36 | 40 | 40 | - | - | - | |
| | | D80 | 18 | 36,5 | 40 | - | - | - | - | - | - | - | - | - | - | - | - | - | |
| DN15 | Standard | D50 | 0 | 0 | 0 | 0 | 0 | 1,3 | 8,3 | 15 | 22 | 29 | 36 | 40 | 40 | - | - | - | |
| | | D80 | 18 | 36,5 | 40 | - | - | - | - | - | - | - | - | - | - | - | - | - | |
| DN20 | Standard | D50 | 0 | 0 | 0 | 0 | 0 | 0 | 0 | 0,8 | 4,2 | 7,7 | 11 | 14,5 | 18 | 21,5 | 25 | 28,5 | |
| | | D80 | 2,3 | 11 | 20,5 | 29,5 | 38,5 | 40 | - | - | - | - | - | - | - | - | - | - | |
| DN32 | Standard | D80 | 0 | 0 | 2,2 | 5,6 | 9 | 12 | 15,5 | 19 | 22 | 25,5 | 29 | 32,5 | 35,5 | 39 | 40 | - | |
| | | D125 | 14 | 22,5 | 30,5 | 39 | 40 | - | - | - | - | - | - | - | - | - | - | - | |

Actuator D50: max. pilot pressure 1 bar above the required pilot pressure

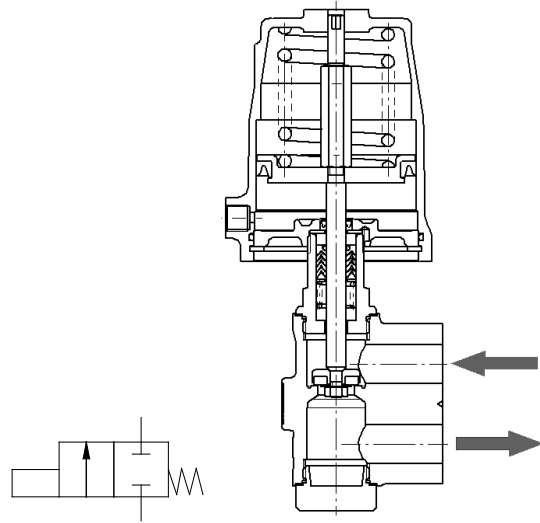
Actuator D80: max. pilot pressure 0,8 bar above the required pilot pressure

Actuator D125 and D250: max. pilot pressure 0,5 bar above the required pilot pressure

Pad mounted valve 7033

Pilot- and differential pressures

Function „spring closes“, closing with flow



Seating seal PTFE, EPDM, FKM, NBR or Vulkolan

| Nominal Size | Version | Actuator | Springs | Max. differential pressure [bar] at available pilot pressure [bar] | | | | | | | | | | | | | | | | |
|--------------|----------|----------|----------|--|------|------|------|------|------|------|------|------|-----|------|------|----|------|----|-----|----|
| | | | | 2 | 2,5 | 3 | 3,5 | 4 | 4,5 | 5 | 5,5 | 6 | 6,5 | 7 | 7,5 | 8 | 8,5 | 9 | 9,5 | 10 |
| DN10 | Standard | D50 | Standard | 0 | 13 | 29,5 | 40 | 40 | 40 | 40 | 40 | 40 | 40 | 40 | 40 | 40 | 40 | 40 | 40 | 40 |
| DN15 | Standard | D50 | Standard | 0 | 13 | 29,5 | 40 | 40 | 40 | 40 | 40 | 40 | 40 | 40 | 40 | 40 | 40 | 40 | 40 | 40 |
| DN20 | Standard | D50 | Standard | 0,4 | 5,3 | 10 | 15 | 19,5 | 24,5 | 29,5 | 34,5 | 39 | 40 | 40 | 40 | 40 | 40 | 40 | 40 | 40 |
| | | D80 | Standard | 26,5 | 39,5 | 40 | 40 | 40 | 40 | 40 | 40 | 40 | 40 | 40 | 40 | 40 | 40 | 40 | 40 | 40 |
| DN32 | Standard | D50 | Standard | 0,1 | 1,6 | 3 | 4,4 | 5,9 | 7,3 | 8,7 | 10 | 11,5 | 13 | 14,5 | 15,5 | 17 | 18,5 | 19 | 19 | 19 |
| | | D80 | Standard | 8,2 | 12 | 15,5 | 19,5 | 23 | 27 | 30,5 | 34,5 | 35 | 35 | 35 | 35 | 35 | 35 | 35 | 35 | 35 |
| | | D125 | Standard | 29 | 35 | 35 | 35 | 35 | 35 | 35 | 35 | 35 | 35 | 35 | 35 | 35 | 35 | 35 | 35 | 35 |

Seating seal PEEK-8 (for use above 160°C)

| Nominal Size | Version | Actuator | Springs | Max. differential pressure [bar] at available pilot pressure [bar] | | | | | | | | | | | | | | | | |
|--------------|----------|----------|---------|--|------|-----|-----|------|------|------|------|------|------|------|------|----|------|----|------|----|
| | | | | 2 | 2,5 | 3 | 3,5 | 4 | 4,5 | 5 | 5,5 | 6 | 6,5 | 7 | 7,5 | 8 | 8,5 | 9 | 9,5 | 10 |
| DN10 | Standard | D50 | 2 | 0 | 0 | 0 | 3,9 | 20,5 | 37,5 | 40 | 40 | 40 | 40 | 40 | 40 | 40 | 40 | 40 | 40 | 40 |
| DN15 | Standard | D50 | 2 | 0 | 0 | 0 | 3,9 | 20,5 | 37,5 | 40 | 40 | 40 | 40 | 40 | 40 | 40 | 40 | 40 | 40 | 40 |
| DN20 | Standard | D50 | 2 | 0 | 0 | 0 | 4,2 | 9,1 | 14 | 18,5 | 23,5 | 28,5 | 33,5 | 38 | 40 | 40 | 40 | 40 | 40 | 40 |
| | | D80 | 1 | 0 | 0 | 5,6 | 18 | 31 | 40 | 40 | 40 | 40 | 40 | 40 | 40 | 40 | 40 | 40 | 40 | 40 |
| | | 125 | 1 | 40 | 40 | 40 | 40 | 40 | 40 | 40 | 40 | 40 | 40 | 40 | 40 | 40 | 40 | 40 | 40 | 40 |
| DN32 | Standard | D50 | 2 | 0 | 0 | 0 | 1,3 | 2,7 | 4,1 | 5,6 | 7 | 8,5 | 9,9 | 11 | 12,5 | 14 | 15,5 | 17 | 18,5 | 19 |
| | | D80 | 1 | 0 | 0 | 3,6 | 7,4 | 11 | 14,5 | 18,5 | 22 | 26 | 30 | 33,5 | 35 | 35 | 35 | 35 | 35 | 35 |
| | | D125 | 1 | 18,5 | 27,5 | 35 | 35 | 35 | 35 | 35 | 35 | 35 | 35 | 35 | 35 | 35 | 35 | 35 | 35 | 35 |

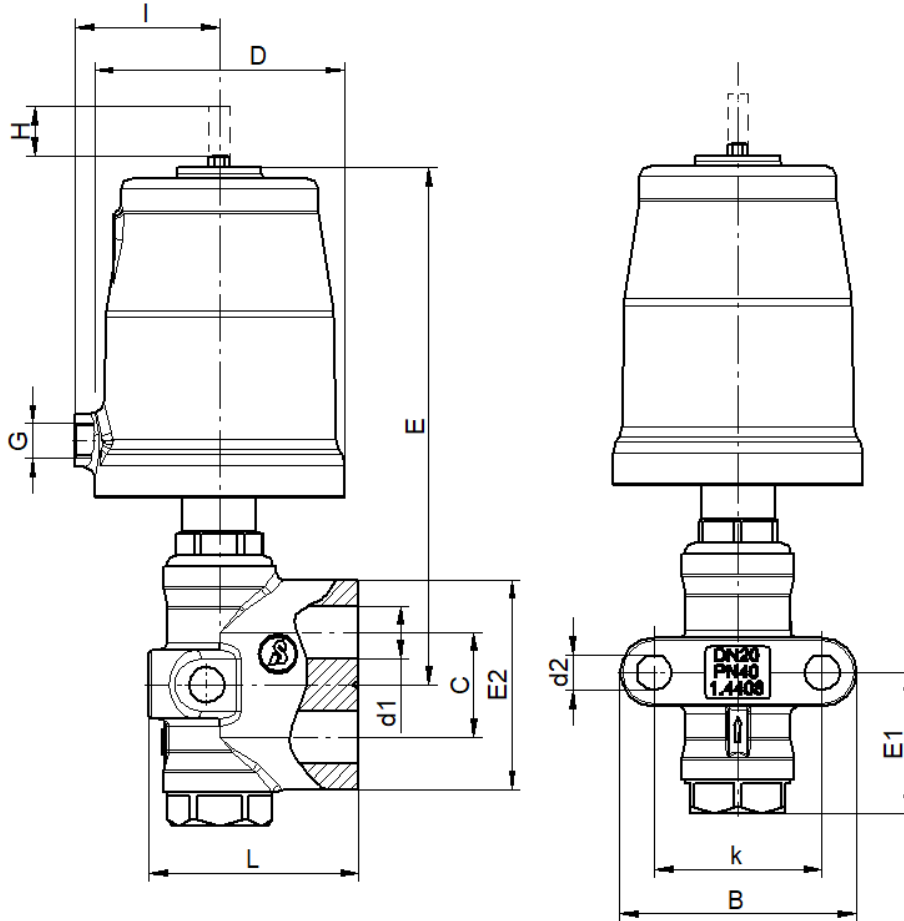
Seat seal PEEK-7 (for use below 160°C)

| Nominal Size | Version | Actuator | Springs | Max. differential pressure [bar] at available pilot pressure [bar] | | | | | | | | | | | | | | | | |
|--------------|----------|----------|---------|--|------|-----|-----|------|------|------|------|----|-----|------|------|----|-----|----|-----|----|
| | | | | 2 | 2,5 | 3 | 3,5 | 4 | 4,5 | 5 | 5,5 | 6 | 6,5 | 7 | 7,5 | 8 | 8,5 | 9 | 9,5 | 10 |
| DN10 | Standard | D50 | 2 | 0 | 0 | 0 | 3,9 | 20,5 | 37,5 | 40 | 40 | 40 | 40 | 40 | 40 | 40 | 40 | 40 | 40 | 40 |
| DN15 | Standard | D50 | 2 | 0 | 0 | 0 | 3,9 | 20,5 | 37,5 | 40 | 40 | 40 | 40 | 40 | 40 | 40 | 40 | 40 | 40 | 40 |
| DN20 | Standard | D80 | 1 | 0 | 0 | 5,6 | 18 | 31 | 40 | 40 | 40 | 40 | 40 | 40 | 40 | 40 | 40 | 40 | 40 | 40 |
| | | 125 | 1 | 40 | 40 | 40 | 40 | 40 | 40 | 40 | 40 | 40 | 40 | 40 | 40 | 40 | 40 | 40 | 40 | 40 |
| DN32 | Standard | D80 | 2 | 0 | 0 | 0 | 2,4 | 6,2 | 9,9 | 13,5 | 17,5 | 21 | 25 | 28,5 | 32,5 | 35 | 35 | 35 | 35 | 35 |
| | | D125 | 1 | 18,5 | 27,5 | 35 | 35 | 35 | 35 | 35 | 35 | 35 | 35 | 35 | 35 | 35 | 35 | 35 | 35 | 35 |

Pad mounted valve 7033

Standard version

Dimensions and weights



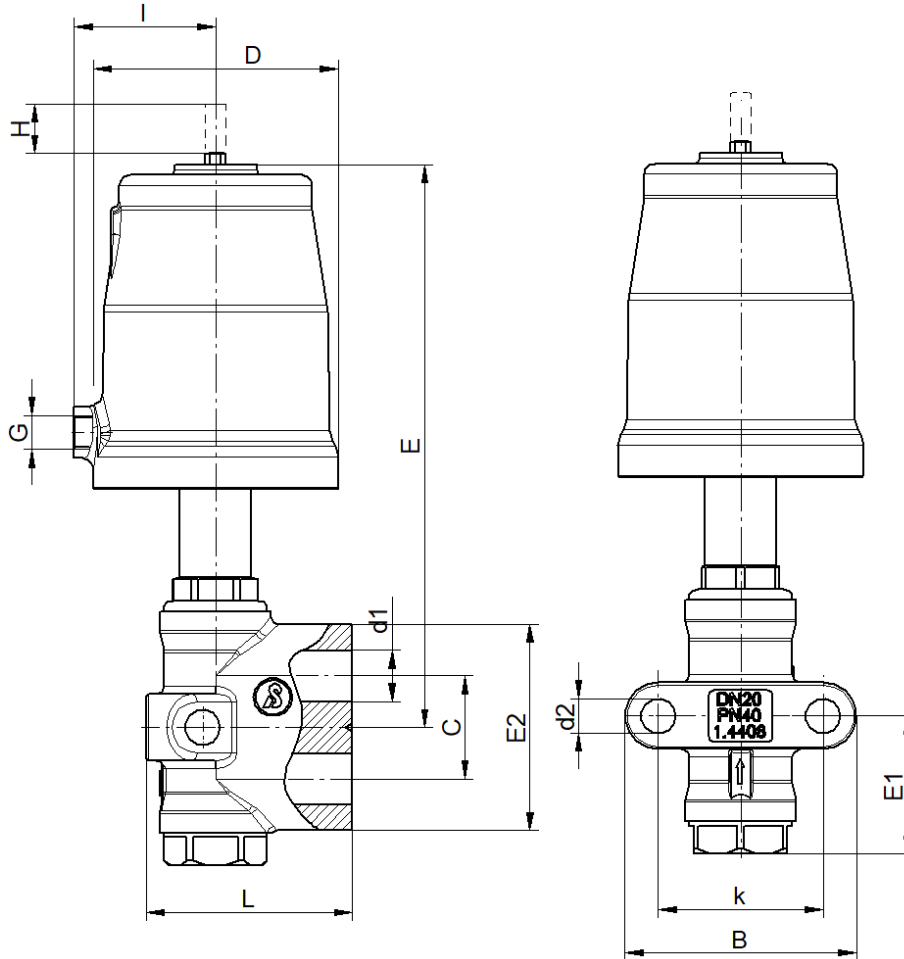
| DN | Actuator | L | C | D | d1 | d2 | B | k | E | E1 | E2 | G | Stroke | I | Weight |
|----|----------|-------|----|-----|----|------|-----|------------|-----|------|-----|------|--------|------|--------|
| 10 | 50 | 68,5 | 25 | 62 | 12 | 13,5 | 84 | 58 (52) | 154 | 43 | 52 | 1/8" | 12 | 34,5 | 1,9 |
| | 80 | | | 191 | | | | | 43 | 1/4" | | 12 | 55 | 3,7 | |
| 15 | 50 | 68,5 | 25 | 62 | 12 | 13,5 | 84 | 58 (52) | 154 | 43 | 52 | 1/8" | 12 | 34,5 | 1,9 |
| | 80 | | | 191 | | | | | 43 | 1/4" | | 12 | 55 | 3,7 | |
| 20 | 50 | 80 | 40 | 62 | 20 | 13,5 | 90 | 64 | 161 | 54 | 80 | 1/8" | 16 | 34,5 | 2,7 |
| | 80 | | | 198 | | | | | 54 | 1/4" | | 16 | 55 | 4,4 | |
| | 125 | | | 221 | | | | | 54 | 1/4" | | 16,5 | 80 | 5,6 | |
| 32 | 80 | 102,5 | 50 | 98 | 32 | 17 | 122 | 90 | 218 | 71 | 105 | 1/4" | 22,5 | 55 | 6 |
| | 125 | | | 244 | | | | | 71 | 1/4" | | 22,5 | 80 | 8,2 | |

dimensions in mm
weight in kg

Pad mounted valve 7033

HT220-Version

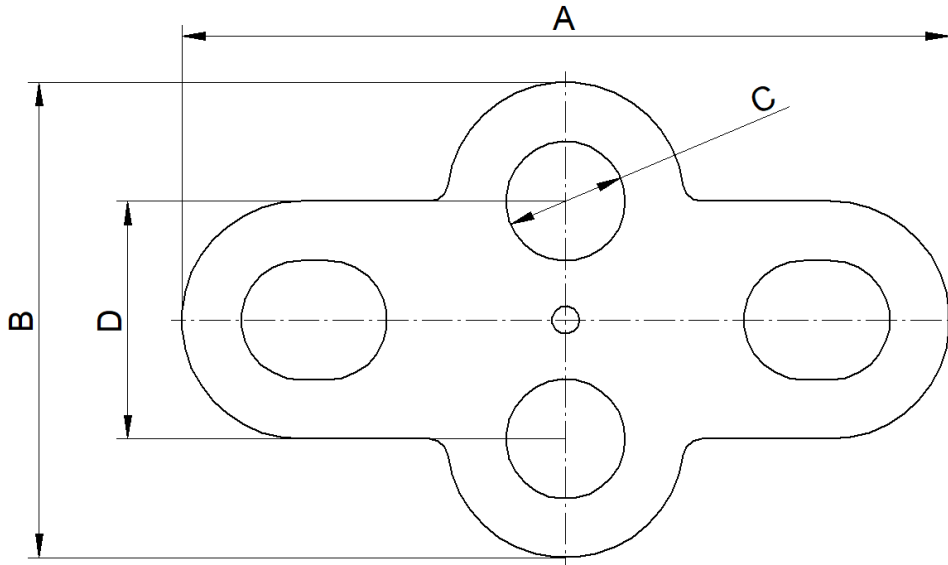
Dimensions and weights



| DN | Actuator | L | C | D | d1 | d2 | B | k | E | E1 | E2 | G | Stroke | I | Weight |
|----|----------|-------|----|-----|----|------|-----|----|-----|------|-----|------|--------|------|--------|
| 10 | 50 | 68,5 | 25 | 62 | 12 | 13,5 | 84 | 58 | 175 | 43 | 52 | 1/8" | 12 | 34,5 | 2,6 |
| | 80 | | | 212 | | | | | 43 | 1/4" | | 12 | 55 | 5,1 | |
| 15 | 50 | 68,5 | 25 | 62 | 12 | 13,5 | 84 | 58 | 175 | 43 | 52 | 1/8" | 12 | 34,5 | 2,6 |
| | 80 | | | 212 | | | | | 43 | 1/4" | | 12 | 55 | 5,1 | |
| 20 | 50 | 80 | 40 | 62 | 20 | 13,5 | 90 | 64 | 182 | 54 | 80 | 1/8" | 16 | 34,5 | 3,1 |
| | 80 | | | 219 | | | | | 54 | 1/4" | | 16 | 55 | 4,5 | |
| 32 | 80 | 102,5 | 50 | 98 | 32 | 17 | 122 | 90 | 239 | 71 | 105 | 1/4" | 22,5 | 55 | 7,8 |
| | 125 | | | 144 | | | | | 265 | 71 | | 1/4" | 22,5 | 80 | 9,8 |

dimensions in mm
weight in kg

Sealing dimensions



| DN | Item number | A | B | øC | D |
|----|-------------|-----|-----|------|----|
| 10 | 4 301 345 | 84 | 52 | 14,5 | 26 |
| 15 | 4 301 345 | 84 | 52 | 14,5 | 26 |
| 20 | 4 102 797 | 90 | 80 | 21 | 26 |
| 32 | 4 102 798 | 122 | 105 | 33 | 32 |

Dimensions in mm