

Pad mounted valve 7033

For valve block

3/8", 1/2", 3/4", 1 1/4"; PN40

Pneumatically actuated valves for mounting on valve blocks.

- Compact design
- Unaffected by lightly contaminated media
- For temperatures from -148°F up to +428°F
- Working pressures up to 580 psi
- Rotatable actuator
- Customised settings



Technical Information

Nominal sizes	3/8", 1/2", 3/4", 1 1/4"
Body material	1.4408 (CF8M)
Nominal pressure	PN40
Max. fluid temperature: with metal bonnet with plastic bonnet diaphragm act. stainless steel	-22°F up to +338°F, -148°F up to +428°F -22°F up to +275°F -22°F bis +392°F, opt. -22°F bis +428°F
Ambient temperature	+5°F up to +140°F (special versions from -40°F up to +212°F possible)
Seat diameter	3/8": 0,49 inch, 1/2": 0,49 inch, 3/4": 0,71 inch, 1 1/4": 1,18 inch
Viscosity of media	maximum 600cSt, 80°E (600 mm ² /s)
Vakuum	maximum 0,001 bar abs
Working pressure	See tables and diagrams, limitation for dangerous gases acc. Pressure equipment directive 2014/68/EU (category I): PS (psi) x DN (inch) / 1.75 < 1000
Working pressure for packing underneath	maximum 175 psi
Working pressure for bellows	maximum 230 psi
Leakage acc. EN 12266-1	leakage class A

Options and accessories

- Stroke limitation
- Manual emergency operation
- El. position indicator with inductive or mechanical limit switches
- Pilot valves
- AS-I control head
- Feedback unit for inductive limit switches
- Version for higher pilot pressures
- ...

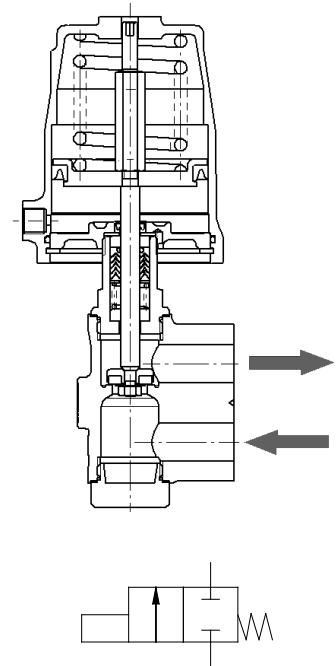
Pad mounted valve 7033

Pilot- and differential pressures



Spring closes (closing against the flow)

Nominal size	Version	Actuator	Springs	Max. differential pressure [psi]			Pilot pressure [psi]
				PTFE	PEEK 7	PEEK 8	
3/8"	Standard	2"	1	220	-	155	51 - 145
			2	395	71	330	66 - 145
			3	580	245	510	83 - 145
		3"	1	580	580	580	51 - 145
1/2"	Standard	2"	1	220	-	155	51 - 145
			2	395	71	330	66 - 145
			3	580	245	510	83 - 145
		3"	1	580	580	580	51 - 145
3/4"	Standard	2"	1	73	-	26	51 - 145
			2	150	-	105	66 - 145
			3	230	-	185	83 - 145
		3"	1	555	315	505	51 - 145
			2	580	510	580	64 - 145
			3	580	580	580	82 - 145
1 1/4"	Standard	2"	1	14	-	-	51 - 145
			2	44	-	15	66 - 145
			3	73	-	44	83 - 145
		3"	1	165	26	140	51 - 145
			2	230	91	200	64 - 145
			3	300	155	275	82 - 145
		5"	1	145	8	120	19 - 145
			2	325	185	295	32 - 145
			3	460	315	435	45 - 145
			4	520	380	490	58 - 145



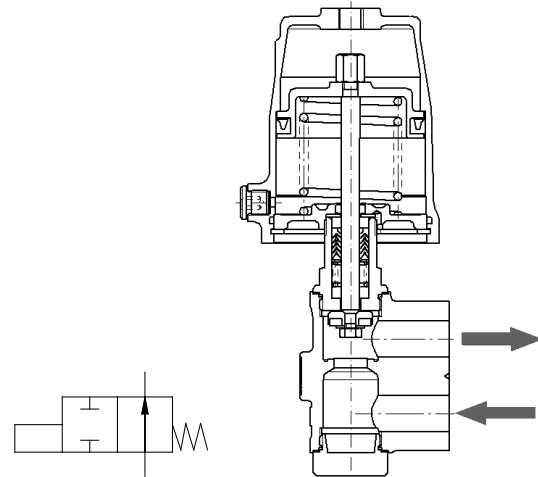
PEEK 7: Seating seal made of PEEK for use below 320°F
 PEEK 8: Seating seal made of PEEK for use above 320°F
 For soft seals such as EPDM, FKM, NBR or Vulkolan, the same values apply as for PTFE

Pad mounted valve 7033

Pilot- and differential pressures



Function „spring opens“, closing against flow



Seating seal PTFE, EPDM, FKM, NBR or Vulkolan

Nominal size	Version	Actuator ϕ	Max. differential pressure [psi] at available pilot pressure [psi]												
			20	30	40	50	60	70	80	90	100	110	120	130	140
3/8"	Standard	2"	0	0	0	135	275	415	555	580	-	-	-	-	-
		3"	265	580	580	-	-	-	-	-	-	-	-	-	-
1/2"	Standard	2"	0	0	0	135	275	415	555	580	-	-	-	-	-
		3"	265	580	580	-	-	-	-	-	-	-	-	-	-
3/4"	Standard	2"	0	0	0	39	105	175	245	315	385	455	520	580	580
		3"	100	285	465	580	-	-	-	-	-	-	-	-	-
1 1/4"	Standard	2"	0	0	0	2	28	54	79	105	130	155	180	205	230
		3"	17	84	150	215	285	350	420	485	555	580	-	-	-
		5"	200	365	530	580	-	-	-	-	-	-	-	-	-

Seating seal PEEK-8 (for use above 320°C)

Nominal size	Version	Actuator	Max. differential pressure [psi] at available pilot pressure [psi]												
			20	30	40	50	60	70	80	90	100	110	120	130	140
3/8"	Standard	2"	0	0	0	71	210	350	490	580	580	-	-	-	-
		3"	200	565	580	-	-	-	-	-	-	-	-	-	-
1/2"	Standard	2"	0	0	0	71	210	350	490	580	580	-	-	-	-
		3"	200	565	580	-	-	-	-	-	-	-	-	-	-
3/4"	Standard	2"	0	0	0	0	61	130	200	265	335	405	475	545	580
		3"	56	235	420	580	580	-	-	-	-	-	-	-	-
1 1/4"	Standard	2"	0	0	0	0	0	25	51	76	100	125	150	175	205
		3"	0	56	120	190	255	325	390	455	525	580	-	-	-
		5"	170	335	505	580	-	-	-	-	-	-	-	-	-

Seat seal PEEK-7 (for use below 320°C)

Nominal size	Version	Actuator	Max. differential pressure [psi] at available pilot pressure [psi]												
			20	30	40	50	60	70	80	90	100	110	120	130	140
3/8"	Standard	2"	0	0	0	0	0	85	225	365	505	580	-	-	-
		3"	0	300	580	-	-	-	-	-	-	-	-	-	-
1/2"	Standard	2"	0	0	0	0	0	85	225	365	505	580	-	-	-
		3"	0	300	580	-	-	-	-	-	-	-	-	-	-
3/4"	Standard	2"	0	0	0	0	0	13	82	150	220	290	360	425	
		3"	0	51	230	415	580	580	-	-	-	-	-	-	-
1 1/4"	Standard	3"	0	0	9	76	140	210	275	345	410	480	545	580	-
		5"	59	225	390	555	-	-	-	-	-	-	-	-	-

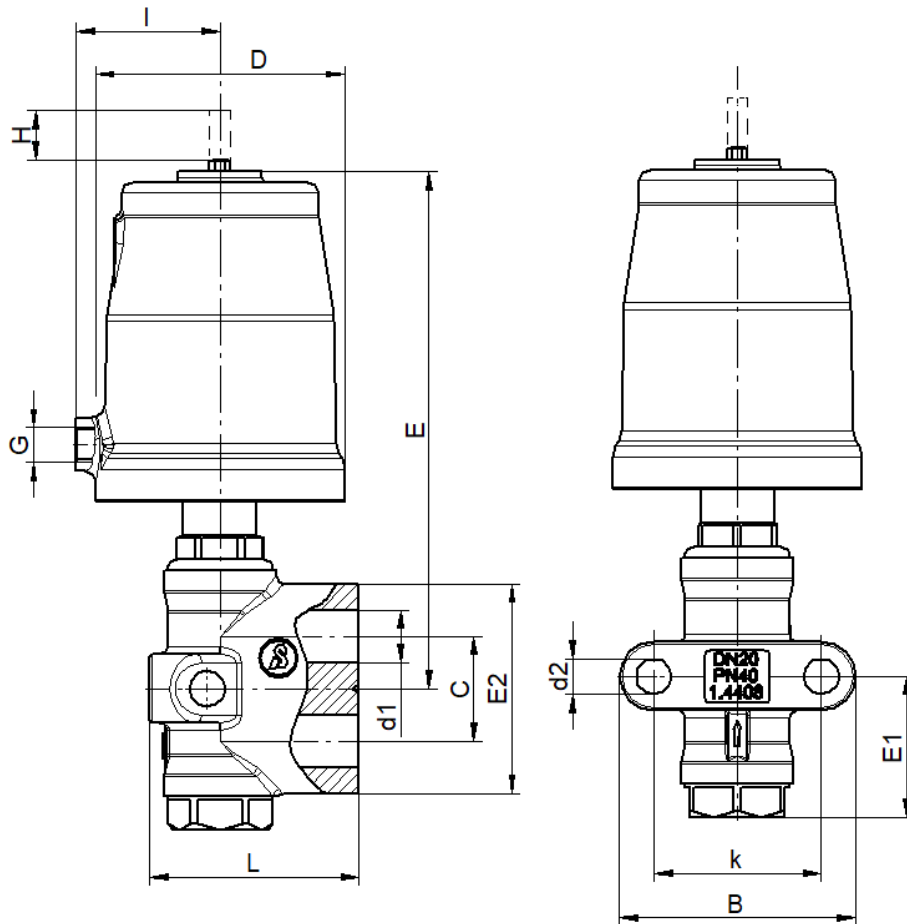
Actuator 2": max. pilot pressure 15 psi above the required pilot pressure
 Actuator 3": max. pilot pressure 12 psi above the required pilot pressure
 Actuator 5" and 10": max. pilot pressure 7 psi above the required pilot pressure

Pad mounted valve 7033

Standard version



Dimensions and weights



DN	Actuator	L	C	D	d1	d2	B	k	E	E1	E2	G	Stroke	I	Weight
3/8"	2"	2.70	1.0	2.44	0.5	0.53	3.3	2.3	6.06	1.70	2.05	1/8"	0.47	1.4	4.2
	3"			3.86				(2.05)	7.52	1.70		1/4"	0.47	2.17	8.2
1/2"	2"	2.70	1.0	2.44	0.5	0.53	3.3	2.3	6.06	1.70	2.05	1/8"	0.47	1.4	4.2
	3"			3.86				(2.05)	7.52	1.70		1/4"	0.47	2.17	8.2
3/4"	2"	3.15	1.6	2.44	0.8	0.53	3.5	2.52	6.34	2.13	3.15	1/8"	0.47	1.36	6
	3"			3.86				7.8	2.13	1/4"		0.63	2.17	9.7	
1 1/4"	3"	4.035	2	3.86	1.26	0.7	4.8	3.54	8.58	2.8	4.13	1/4"	0.9	2.17	13.23
	5"			5.7				9.6	2.8	1/4"		0.9	3.15	18.08	

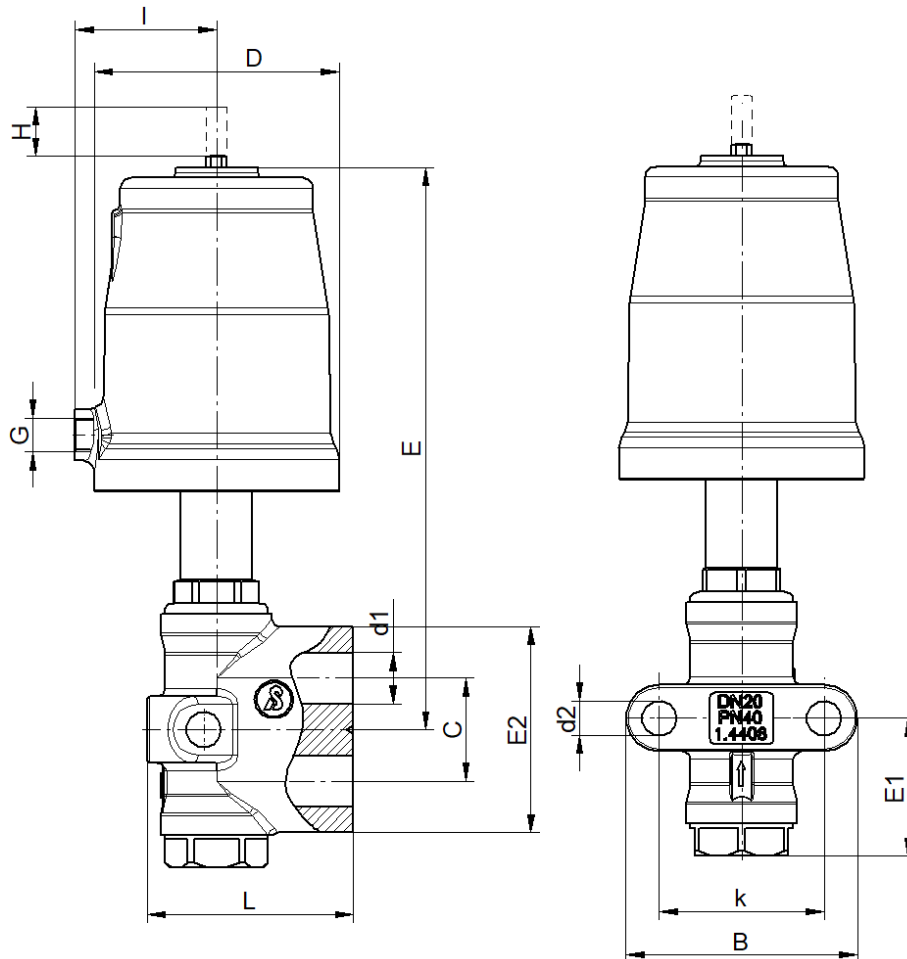
dimensions in inch
weight in lbs

Pad mounted valve 7033

HT220-Version



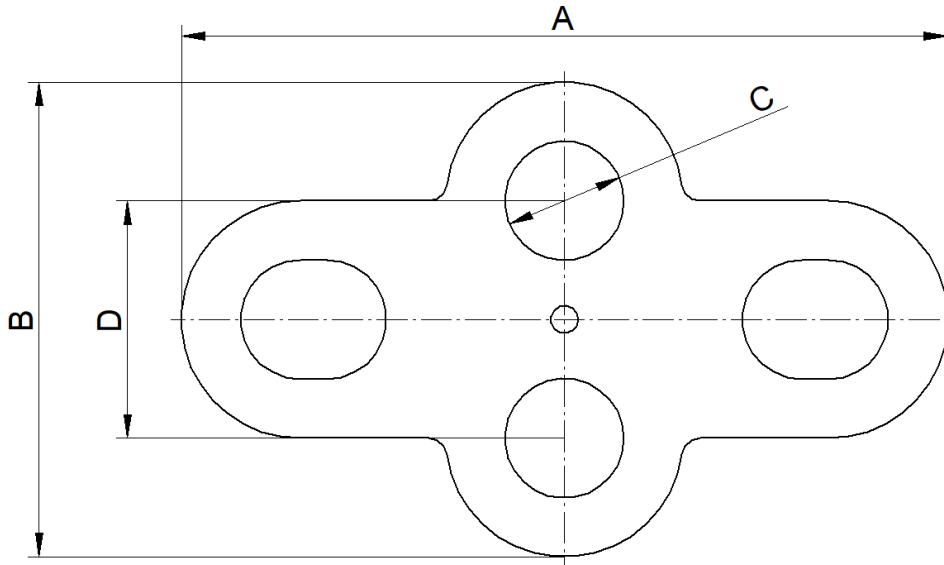
Dimensions and weights



DN	Actuator	L	C	D	d1	d2	B	k	E	E1	E2	G	Stroke	I	Weight
3/8"	2"	2.70	1.0	2.44	0.5	0.53	3.3	2.3	6.9	1.70	2.05	1/8"	0.47	1.4	5.73
	3"			3.86				(2.05)	8.35	1.70		1/4"	0.47	2.17	11.25
1/2"	2"	2.70	1.0	2.44	0.5	0.53	3.3	2.3	6.9	1.70	2.05	1/8"	0.47	1.4	5.73
	3"			3.86				(2.05)	8.35	1.70		1/4"	0.47	2.17	11.25
3/4"	2"	3.15	1.6	2.44	0.8	0.53	3.5	2.52	7.2	2.13	3.15	1/8"	0.47	1.36	6.83
	3"			3.86					8.6	2.13		1/4"	0.63	2.17	9.92
1 1/4"	3"	4.035	2	3.86	1.26	0.7	4.8	3.54	9.4	2.8	4.13	1/4"	0.9	2.17	17.2
	5"			5.7					10.4	2.8		1/4"	0.9	3.15	21.6

dimensions in inch
weight in lbs

Sealing dimensions



DN	Item number	A	B	øC	D
3/8"	4 301 345	3.31	2.05	0.57	1.02
1/2"	4 301 345	3.31	2.05	0.57	1.02
3/4"	4 102 797	3.54	3.15	0.83	1.02
1 1/4"	4 102 798	4.80	4.13	1.3	1.26

dimensions in inch