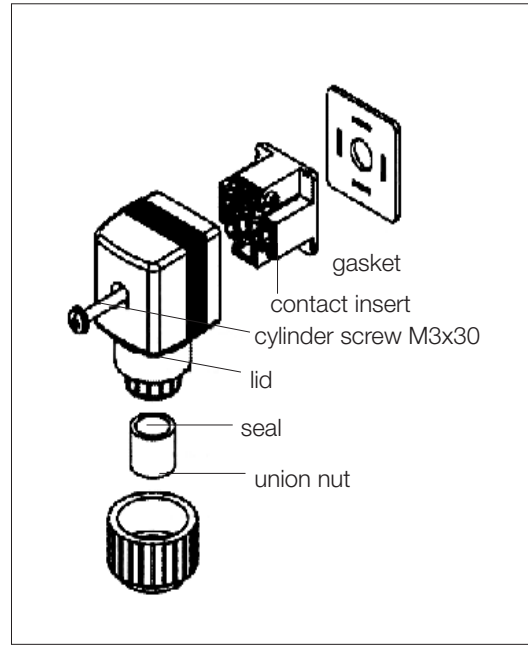
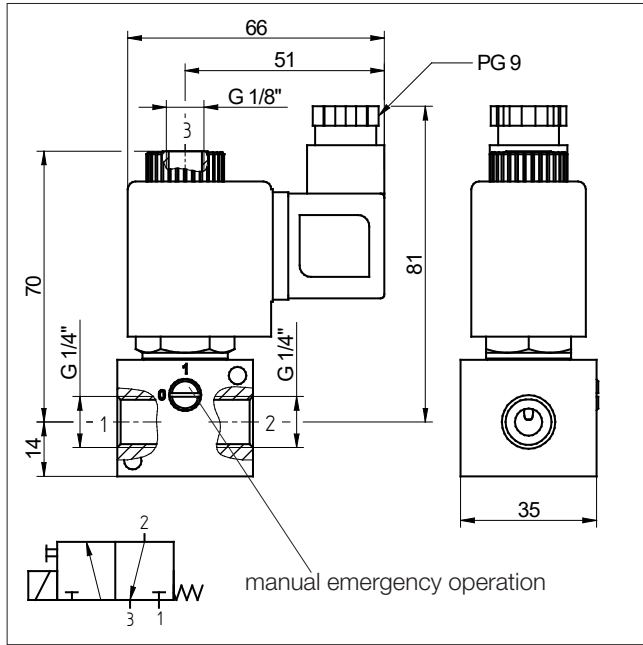


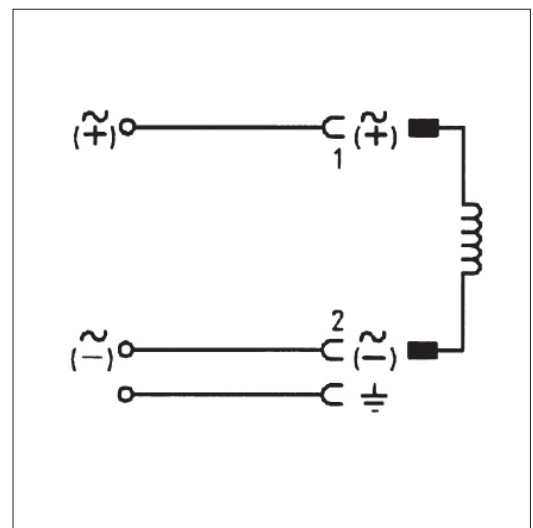
3/2-way-valve with manual operation for piloting of pneumatically operated valves.



Technical Information

| | |
|---------------------|---|
| Nominal size | 2 mm |
| Nominal pressure | 0 - 10 bar |
| Kvs-value | 0,11 |
| Ambient temperature | -10°C up to + 50°C |
| Fluid temperature | max. 100 °C |
| Switching time | ca. 10 - 15 ms |
| Seating material | FKM (Viton) |
| Body material | brass |
| Inner parts | stainless steel |
| Connections | 230 V 50/60 Hz 24 V AC 24 V DC 10 W others on request |
| Voltage tolerance | ± 10% |
| Protection class | IP 65 (with connector) |
| Duty cycle | 100% |

Connection



Text and pictures are not binding. We reserve the right, to alter the equipment.