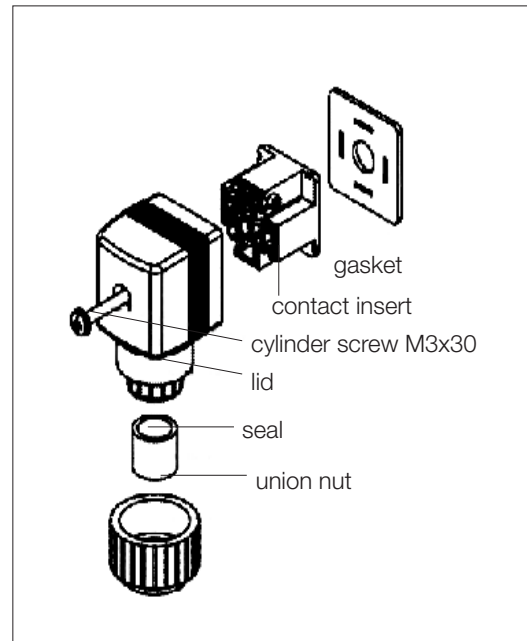
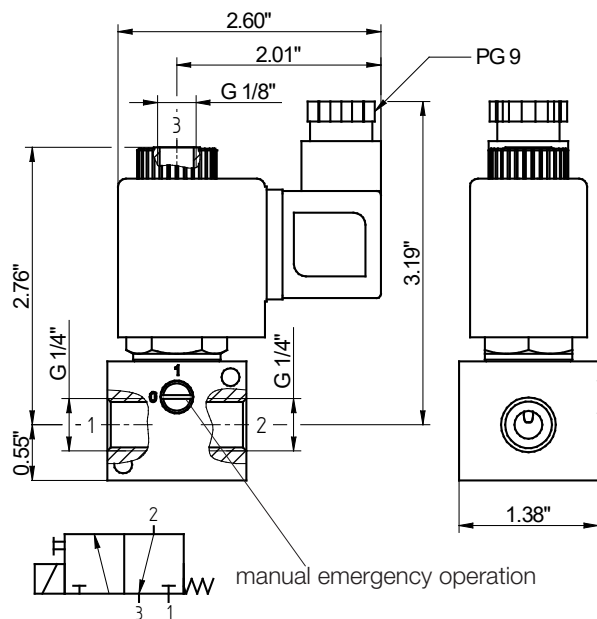


Solenoid Valve 7090

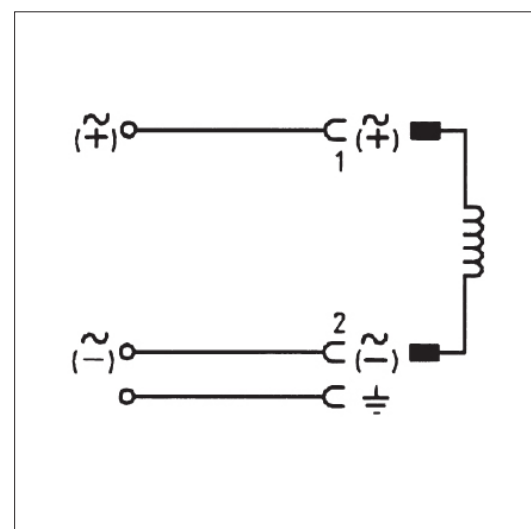
3/2-way-valve with manual operation for piloting of pneumatically operated valves.



Technical Information

Nominal size	0.08 "
Nominal pressure	0 - 145 psi
Kvs-value	0.13
Ambient temperature	14°F up to + 122°F
Fluid temperature	max. 212°F
Switching time	ca. 10 - 15 ms
Seating material	FKM (Viton)
Body material	brass
Inner parts	stainless steel
Connections	230 V 50/60 Hz 24 V AC 24 V DC 10 W others on request
Voltage tolerance	± 10%
Protection class	IP 65 (with connector)
Duty cycle	100%

Connection



Text and pictures are not binding. We reserve the right to alter the equipment.