

Angle Seat Motor Valve

DN 15 up to DN 65 PN 16 - PN 40

Motor valve for on/off- and modulating operation for neutral and aggressive media.

- Compact design
- Unaffected by lightly contaminated media
- For operating temperatures from -30°C to +200°C
- Working pressure up to 40 bar
- Versatile actuator options

Technical Data Valve

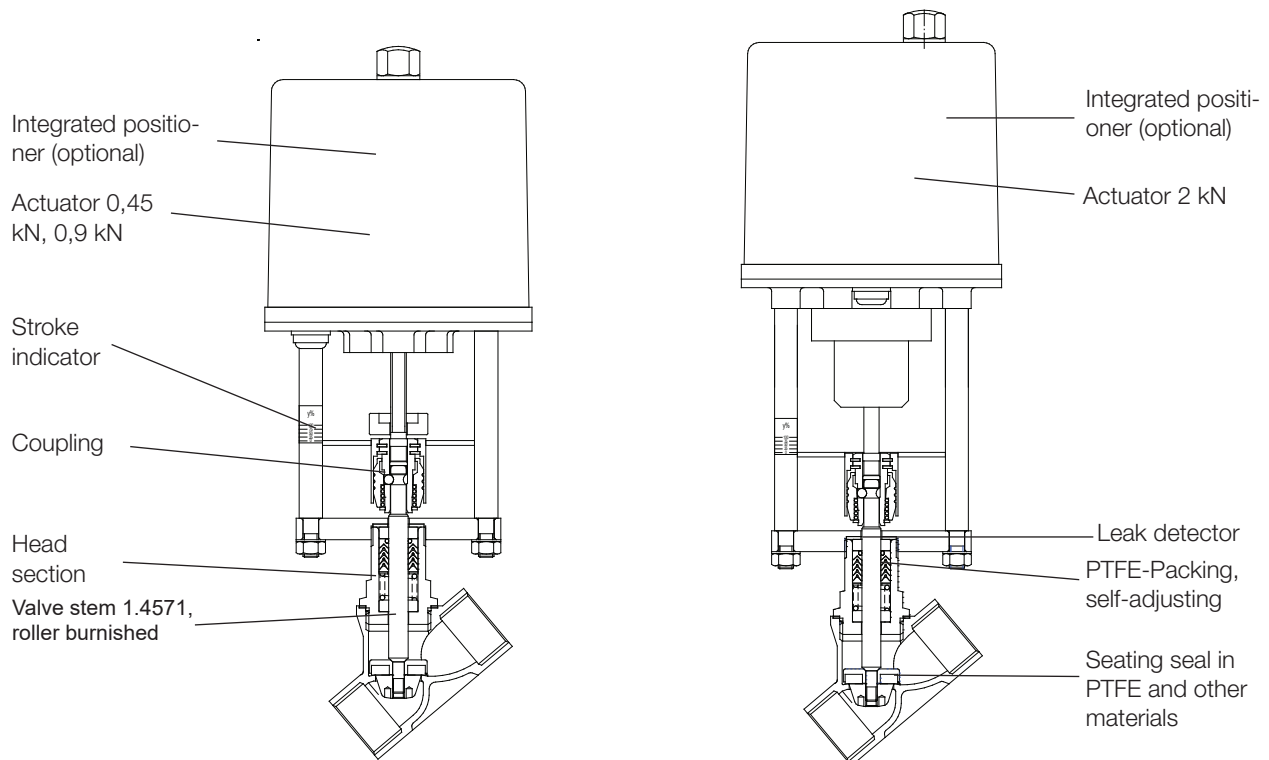
| Body Material | Brass | Bronze | Stainless steel |
|----------------------------|---|----------------|-----------------|
| Nominal Sizes | DN 65 | DN 15 to DN 50 | DN 15 to DN 65 |
| Connections: | | | |
| Pipe thread acc. ISO 228-1 | 2 1/2" | 1/2" - 2" | 1/2" - 2 1/2" |
| NPT thread | 2 1/2" | 1/2" - 2" | 1/2" - 2 1/2" |
| Welding ends | - | - | 1/2" - 2 1/2" |
| Nominal Pressure | PN 16 | PN 16 | PN 40 |
| Adm. Operating Temperature | -30°C to 170°C | -30°C to 200°C | -30°C to 200°C |
| Ambient Temp. | -10°C to +60°C | | |
| Viscosity | maximum 600 mm ² /s (600cSt) | | |
| Vacuum | maximum 0.001bar abs | | |
| Operating Pressure | maximum 12 bar | | |
| Packing Underneath | | | |



Packing tested according to TA-Luft as defined in DIN EN ISO 15848-1 and VDI 2440

Technical Data Motor Actuator

| | |
|------------------------------|---|
| Actuator Force | 0.9 kN; 2.0 kN |
| Type of Duty acc. VDE 0530 | S1 - 100 % ED |
| Net Connections | 230 VAC, 50 Hz 24 VAC, 50 Hz |
| Power Consumption | 0.9 kN: 4.8 W; 2.0 kN: 6.6 W |
| Amb. Temperature | 0 to 60 °C |
| Mounting Position | Motor not hanging downwards; (0.9kN any) |
| Protection Class (DIN 40050) | IP 65 |



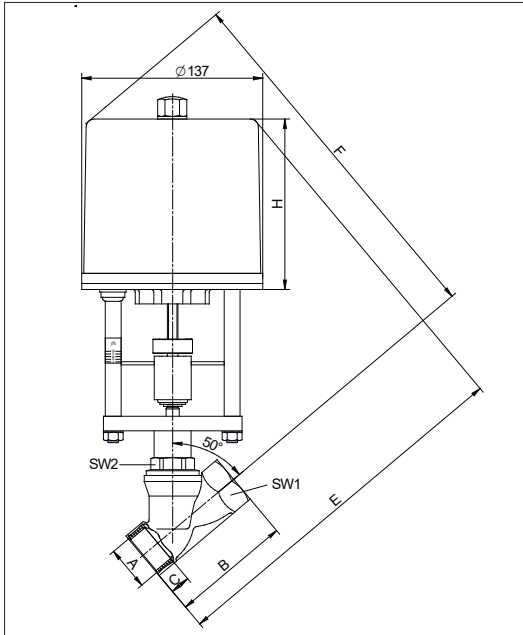
Admissible Differential Pressures

| Nominal Size DN | Dp, max. bar | | | | Actuator Force kN |
|--------------------|-----------------|------------------|---------------------------|----------------------------|----------------------|
| | Brass On/off | Bronze On/off | Stainless Steel On/off | Stainless Steel Control | |
| 15 | - | 16 | 40 | 16 | 0,9 |
| 20 | - | 16 | 23 | 16 | 0,9 |
| 20 | - | 16 | 40 | 16 | 2,0 |
| 25 | - | 13 | 13 | 13 | 0,9 |
| 25 | - | 16 | 35 | 16 | 2,0 |
| 32 | - | 7,5 | 7,5 | 7,5 | 0,9 |
| 32 | - | 16 | 21 | 16 | 2,0 |
| 40 | - | 4,5 | 4,5 | 4,5 | 0,9 |
| 40 | - | 13 | 13 | 13 | 2,0 |
| 50 | - | 3,0 | 3,0 | 3,0 | 0,9 |
| 50 | - | 9,0 | 9,0 | 9,0 | 2,0 |
| 65 | 1,5 | - | 1,5 | - | 0,9 |
| 65 | 4,5 | - | 4,5 | - | 2,0 |

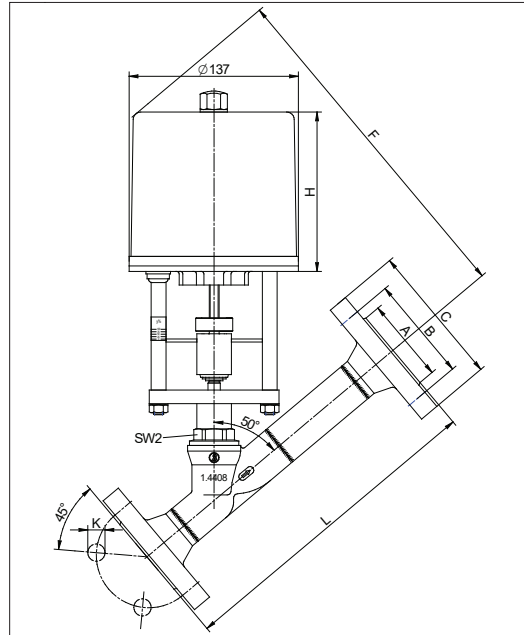
Kvs-Values (Control Valve Version)

| Flow Characteristic DN | linear | | | | | | equal percentage | | | | | |
|---------------------------|--------|-----|-----|----|----|----|------------------|-----|-----|----|----|----|
| | 15 | 20 | 25 | 32 | 40 | 50 | 15 | 20 | 25 | 32 | 40 | 50 |
| 100 % | 3,8 | 8,8 | 14 | 20 | 27 | 41 | 3 | 6 | 10 | 16 | 25 | - |
| 40 % | 1,5 | 3,5 | 5,8 | 8 | 11 | - | 1,2 | 2,4 | 4 | 6 | 10 | - |
| 25 % | 0,93 | 2,2 | 3,6 | - | - | - | 0,80 | 1,5 | 2,6 | - | - | - |
| 15% | - | - | - | - | - | - | 0,46 | - | - | - | - | - |
| 10% | 0,4 | - | - | - | - | - | - | - | - | - | - | - |
| 7,5% | - | - | - | - | - | - | 0,23 | - | - | - | - | - |

Dimensions and Weights



Type 7110



Type 7131

| DN | Actuator kN | A G / NPT | B | C | E* without with positioner | | F* without with positioner | | Stroke | SW1 | SW2 | Kvs- values | Weight kg*** | Running times sec. |
|----|----------------|-----------------|-----|----|------------------------------------|-----|------------------------------------|-----|--------|-----|-----|----------------|-----------------|--------------------------|
| 15 | 0,9 | 1/2" | 65 | 12 | 253 | 279 | 261 | 292 | 9,5 | 25 | 30 | 3,5 | 2,6 | 54 |
| 20 | 0,9 | 3/4" | 75 | 13 | 263 | 289 | 264 | 295 | 14 | 31 | 30 | 8 | 2,8 | 80 |
| 25 | 0,9 | 1" | 90 | 15 | 266 | 292 | 267 | 298 | 19 | 39 | 30 | 15 | 3,0 | 109 |
| 32 | 0,9 | 1 1/4" | 110 | 17 | 295 | 321 | 271 | 302 | 21 | 48 | 30 | 24 | 3,4 | 120 |
| 40 | 0,9 | 1 1/2" | 120 | 19 | 298 | 324 | 281 | 312 | 24 | 55 | 30 | 35 | 3,7 | 137 |
| 50 | 0,9 | 2" | 150 | 21 | 312 | 338 | 295 | 326 | 29(24) | 68 | 32 | 55 | 4,3 | 166/137 |
| 65 | 0,9 | 2 1/2" | 180 | 25 | 331 | 357 | 313 | 344 | 29(24) | 85 | 41 | 93 | 6,1 | 166/137 |
| 20 | 2,0 | 3/4" | 75 | 13 | 281 | 307 | 285 | 316 | 14 | 31 | 30 | 8 | 3,1 | 62 |
| 25 | 2,0 | 1" | 90 | 15 | 286 | 312 | 286 | 317 | 19 | 39 | 30 | 15 | 3,3 | 84 |
| 32 | 2,0 | 1 1/4" | 110 | 17 | 310 | 336 | 300 | 331 | 21 | 48 | 30 | 24 | 3,7 | 93 |
| 40 | 2,0 | 1 1/2" | 120 | 19 | 319 | 345 | 304 | 335 | 24 | 55 | 30 | 35 | 4,0 | 107 |
| 50 | 2,0 | 2" | 150 | 21 | 334 | 360 | 309 | 340 | 29(24) | 68 | 32 | 55 | 4,6 | 129/107 |
| 65 | 2,0 | 2 1/2" | 180 | 25 | 347 | 373 | 332 | 363 | 29(24) | 85 | 41 | 93 | 6,4 | 129/107 |

Different Dimensions and Weights 7131

| DN | Actuator | A | B | C | E* w/o with Positioner | | F* w/o with Positioner | K | L** | N | Weight kg*** | |
|----|----------|-----|-----|-----|--------------------------------|-----|--------------------------------|-----|-----|-----|-----------------|------|
| 15 | 0,9 | 45 | 65 | 95 | 295 | 321 | 261 | 292 | 14 | 230 | 4 | 4,3 |
| 20 | 0,9 | 58 | 75 | 105 | 308 | 334 | 264 | 295 | 14 | 260 | 4 | 5 |
| 25 | 0,9 | 68 | 85 | 115 | 307 | 333 | 267 | 298 | 14 | 260 | 4 | 5,7 |
| 32 | 0,9 | 78 | 100 | 140 | 337 | 363 | 271 | 302 | 18 | 300 | 4 | 7,2 |
| 40 | 0,9 | 88 | 110 | 150 | 342 | 368 | 281 | 312 | 18 | 300 | 4 | 8,3 |
| 50 | 0,9 | 102 | 125 | 165 | 359 | 385 | 295 | 326 | 18 | 350 | 4 | 10,1 |
| 20 | 2,0 | 58 | 75 | 105 | 326 | 352 | 285 | 316 | 14 | 260 | 4 | 5,3 |
| 25 | 2,0 | 68 | 85 | 115 | 327 | 353 | 286 | 317 | 14 | 260 | 4 | 6 |
| 32 | 2,0 | 78 | 100 | 140 | 352 | 378 | 300 | 331 | 18 | 300 | 4 | 7,5 |
| 40 | 2,0 | 88 | 110 | 150 | 363 | 389 | 304 | 335 | 18 | 300 | 4 | 8,6 |
| 50 | 2,0 | 102 | 125 | 165 | 381 | 407 | 309 | 340 | 18 | 350 | 4 | 10,4 |

* Considering the dismounting length H dimensions E increase by 64 mm (90 mm) and F by 77 mm (107 mm)

** Body length acc. DIN 3202, T1 R3

*** Weight with positioner: + 0.5 kg

() Values with positioner

Text and pictures are not binding. We reserve the right, to alter the equipment.