

Angle Seat Motor Valve with Flanges, compact 7231

1/2" up to 3"



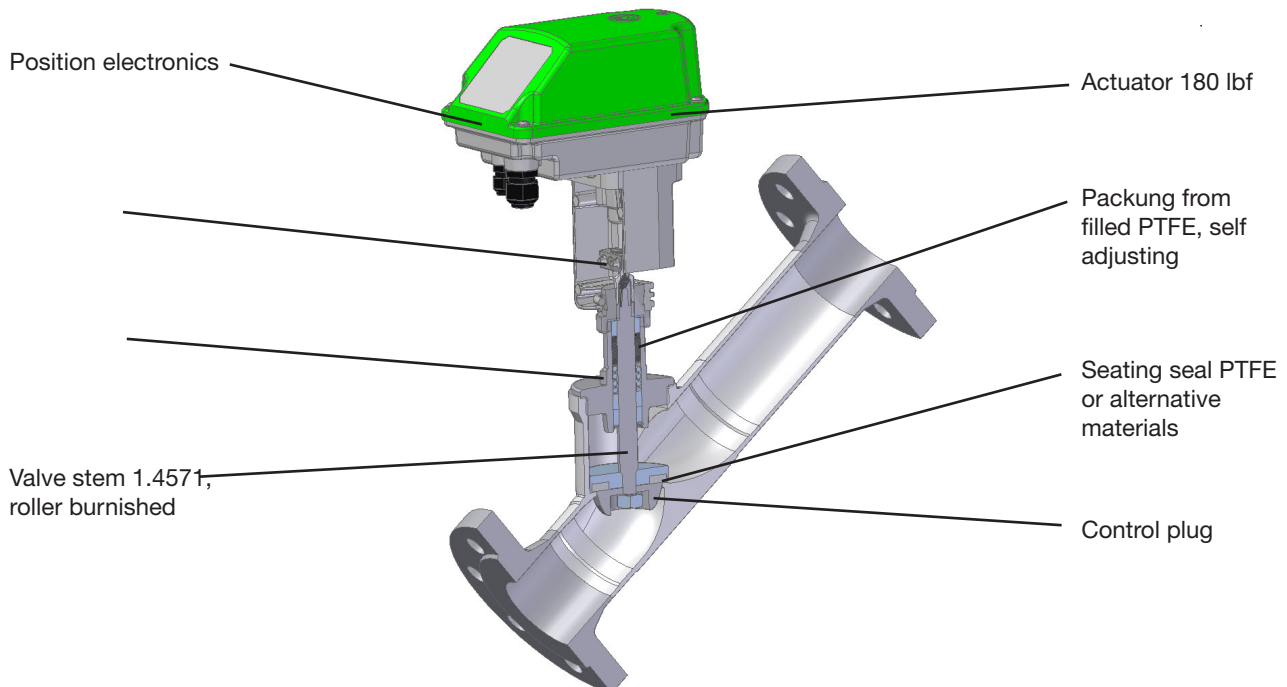
Motor valve for on/off- and modulating operation for neutral and aggressive media.

- Compact design
- Self calibration
- Unaffected by lightly contaminated media
- For operating temperatures from -22°F up to +392°F
- Working pressure up to 580 psi
- Versatile actuator options
- Actuators with control function also available with safety position



Technical Information Valve

body material	Stainless steel 1.4408
Nominal size	1/2" up to 3"
Connections	ANSI #150, ANSI #300
Nominal pressure	PN 40 / ANSI #150 / ANSI #300
Media temperature	-22°F up to +392°F
Viscosity	max. 600 mm ² /s (600 cSt)
Vacuum	maximum 0.0295 mercury (Hg)
Operating pressure packing underneath	max. 175 psi
Body dimension	L acc. DIN EN 558-92 (old: DIN 3202-F3)



Angle Seat Motor Valve with Flanges, compact 7231 1/2" up to 3"



Technical Information CA-Actuator

Function	Control				On/Off	
	CA24C	CA260C	CA24C-R	CA260C-R	CA24	CA260
Motor type	24V AC/DC	90-260V AC	24V AC/DC	90-260V AC	24V AC/DC	90-260V AC
Mains connection					(2)3-term	
Set point range	(0)2-10V / (0)4-20mA				optional	
Feedback	(0)2-10V / (0)4-20mA				optional	
Limit switch	2				optional	
Max. switching capacity	24V AC/DC 200 mA				250V AC/DC 1A	
Actuating speed	38.1 / 50.8 / 76.2 s/inch (Standard: 50.8 s/inch)				50.8 or 76.2 s/inch (Standard: 76.2 s/inch)	
Safety functions	Monitoring of tensile force, set point, temperature of the electronics, etc.				Tensile force monitoring	
Diagnostic functions	Storage of motor and total operating time, temperature and directional classes, etc.				-	
Fail Safe position	-	-	freely adjustable		-	
Load	500 Ω for current set point / 95 kΩ for voltage set point				-	
Max. input	13 W	12 W	13 W	12 W	13 W	12 W
Input heating resistor	10 W					
Starting current	6 A	2,5 A	6 A	2,5 A	6 A	2,5 A
Actuating power	180 lbf					
Protection class (EN 60529)	IP 65					
Adm. Ambient temperature	14°F to +140°F					
Duty cycle	100%					

*: for control with volt-signal split range adjustments are possible

Wiring diagrams of the actuators can be found in the manual.

Admissible Differential Pressures

Nominal size	Inlet pressure psi									
	1/2"		3/4"		1"		1 1/4"		1 1/2"	
	On/off	Control	On/off	Control	On/off	Control	On/off	Control	On/off	Control
Stainless steel body	580	230	290	230	175	175	100	100	70	70

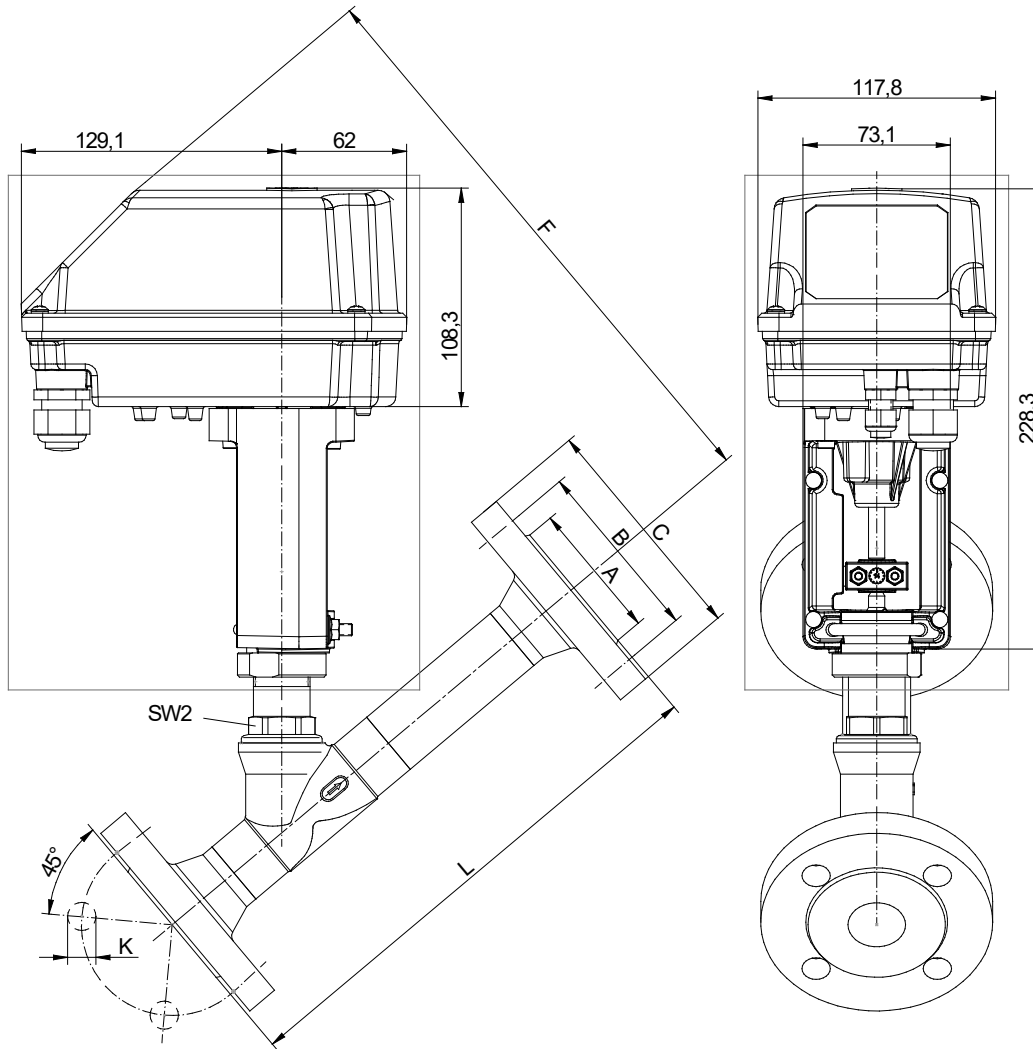
Body stainless steel pressure balanced	-	-	-	-	-	-	580	230	365	230
--	---	---	---	---	---	---	-----	-----	-----	-----

Nominal size	Inlet pressure psi					
	2"		2 1/2"		3"	
	On/off	Control	On/off	Control	On/off	Control
Stainless steel body	40	40	-	-	-	-

Body stainless steel pressure balanced	365	230	230	230	205	205
--	-----	-----	-----	-----	-----	-----

Angle Seat Motor Valve with Flanges compact 7231

Dimensions and Weights for CA-actuators



DN	PN40					ANSI150					L	F	SW2	F SW2	
	A	B	C	K	N number of bores	A	B	C	K	N number of bores				pressure balanced	
1/2"	1.77	2.56	3.74	0.55	4	1.38	2.38	3.5	0.62	4	9.06	11.14	1.18	-	-
3/4"	2.28	2.95	4.13	0.55	4	1.69	2.75	3.88	0.62	4	10.24	11.3	1.18	-	-
1"	2.68	3.35	4.53	0.55	4	2	3.12	4.25	0.62	4	10.24	11.46	1.18	-	-
1 1/4"	3.07	3.94	5.51	0.71	4	2.5	3.5	4.62	0.62	4	11.81	12.05	1.18	12.76	1.61
1 1/2"	3.46	4.33	5.91	0.71	4	2.88	3.88	5	0.62	4	11.81	12.24	1.18	13.07	1.81
2"	4.02	4.92	6.5	0.71	4	3.62	4.75	6	0.75	4	13.78	12.52	1.26	13.46	2.05
2 1/2"	4.8	5.71	7.28	0.71	8	4.23	5.49	7	0.75	4	15.75	13.39	1.61	14.13	1.42
3"	5.43	6.3	7.87	0.71	8	5	6	7.5	0.75	4	17.72	15.28	1.81	15.28	1.81