

Right Angle Seat Motor Valve compact 7250

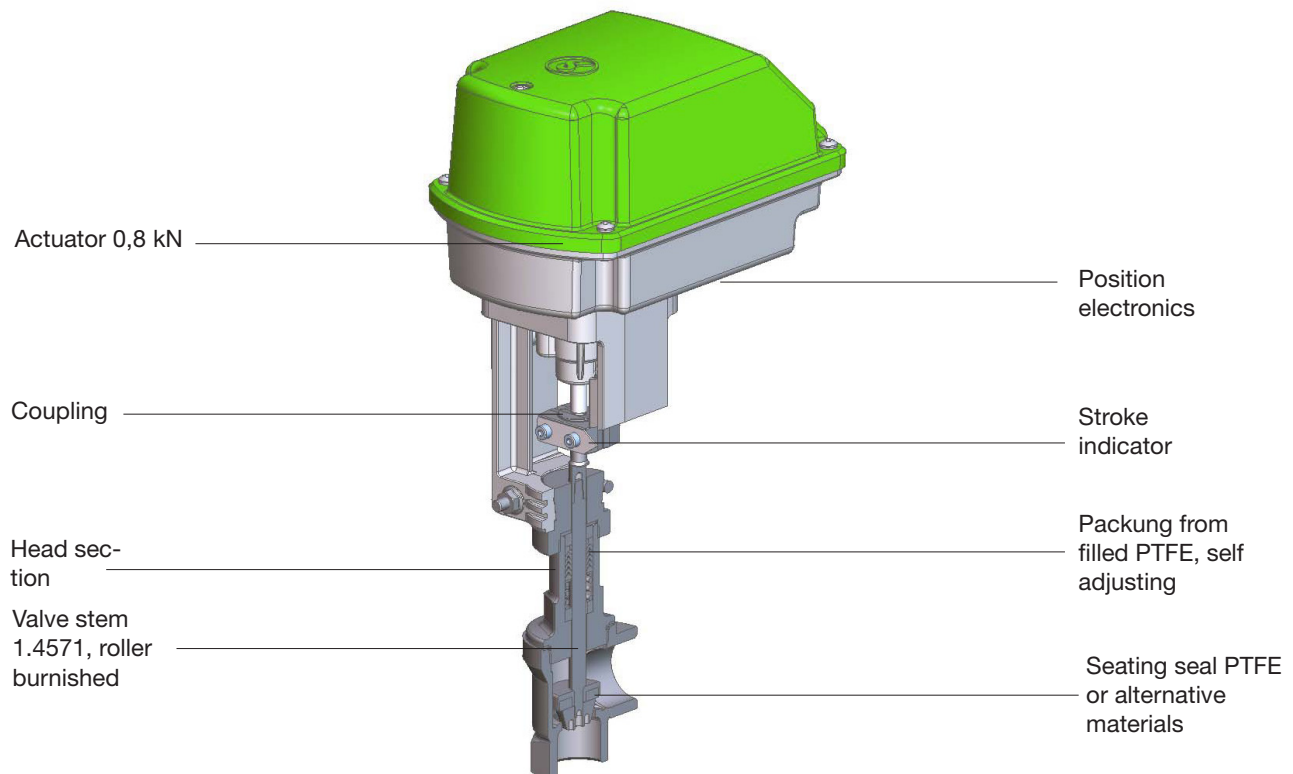
DN 15 up to DN 50

Motor valve for on/off- and modulating operation for neutral and aggressive media.

- Compact design
- Self adaption
- Unaffected by lightly contaminated media
- For temperatures from -100°C up to +220°C
- Working pressure up to 40 bar
- Versatile actuator options
- Actuators with control function also available with safety position

Technical Information Valve

Body materials	Stainless steel 1.4408
Nominal sizes	DN 15 up to DN 50
Connection	Flanges acc. DIN 2635
Dimension	acc. DIN EN558-1 Row 1
Nominal pressure	PN 40
Media temperature	-30°C up to +200°C, opt. -100°C up to +200°C
Viscosity	max. 600 mm ² /s (600 cSt)
Vacuum	max. 0,001 bar, abs.
Operating pressure packing underneath	max. 12 bar
Packing leakage	tested according to TA-Luft as defined in DIN EN ISO 15848-1 and VDI 2440



Right Angle Seat Motor Valve compact 7250



Technical Information CA-Actuator

Function	Control				On/Off	
Motor type	CA24C	CA260C	CA24C-R	CA260C-R	CA24	CA260
Mains connection	24V AC/DC	90-260V AC	24V AC/DC	90-260V AC	24V AC/DC	90-260V AC
Set point range	(0)2-10V / (0)4-20mA				3-term**	
Feedback	(0)2-10V / (0)4-20mA				optional	
Limit switch	2				optional	
Potentiometer feedback	-				optional	
Max. switching capacity	24V AC/DC 200 mA				250V AC/DC 1A	
Actuating speed	1.5 / 2 / 3 s/mm (Standard: 2 s/mm)				2 or 3 s/mm (Standard: 3 s/mm)	
Safety functions	Monitoring of tensile force, set point, temperature of the electronics, etc.				Tensile force monitoring	
Diagnostic functions	Storage of motor and total operating time, temperature and directional classes, etc.				-	
Fail Safe position	-	-	freely adjustable		-	
Load	500 Ω for current set point / 95 kΩ for voltage set point				-	
Max. input	13 W	12 W	13 W	12 W	13 W	12 W
Input heating resistor	10 W					
Starting current heating resistor	6 A	2,5 A	6 A	2,5 A	6 A	2,5 A
Actuating power	800 N					
Protection class (EN 60529)	IP 65					
Adm. Ambient temperature	-10°C to +60°C					
Duty cycle	100%					

*: for control with volt-signal split range adjustments are possible

**: minimum switch on time 200ms

Wiring diagrams of the actuators can be found in the manual.

Admissible Differential Pressures

Nominal size	p max (bar)											
	DN15		DN20		DN25		DN32		DN40		DN50	
	On/off	Control	On/off	Control	On/off	Control	On/off	Control	On/off	Control	On/off	Control
Stainless steel body	40	16	20	16	12	12	7	7	4,8	4,8	2,8	2,8

Kvs-Values (Stroke)

Characteristic	linear						equal percentage					
	15	20	25	32	40	50	15	20	25	32	40	50
100 %	5,2 (8,7)	10,5 (14,2)	16,5 (15,2)	25 (18,2)	33 (18,2)	40 (21,2)	4,1 (8,7)	9,3 (14,2)	12 (14,2)	16 (18,2)	22 (18,2)	-
40 %	2,1 (8,7)	4,2 (7,2)	6,6 (10,2)	10 (10,2)	16 (18,2)	-	1,7 (8,7)	3,7 (7,2)	4,8 (9,2)	6,4 (10,2)	12,8 (12,2)	-
25 %	1,3 (8,7)	2,6 (7,2)	4,1 (10,2)	-	-	-	1 (8,7)	2,3 (7,2)	3 (9,2)	-	-	-
On-Off	5,5 (8,7)	10,5 (14,2)	17 (15,2)	25 (18,2)	35 (18,2)	45 (21,2)						

Right Angle Seat Motor Valve compact 7250



Ordering Number System

		Article number									
		7250/			K						S
Nominal size:											
DN 15		015									
DN 20		020									
DN 25		025									
DN 32		032									
DN 40		040									
DN 50		050									
Item:											
Valve		V									
Upper part		U									
Actuator		A									
Body design:											
Right angled body valve					7						
Connection:											
Whitworth-thread						0					
NPT thread						5					
without thread						6					
Body material:											
Stainless steel							2				
Seating seal:											
PTFE								0			
FKM (Viton)								1			
EPDM								2			
NBR								3			
Actuator:											
Control actuator CA24C, 24V AC/DC, with position electronic, stanard adjustment: control signal 4-20mA, feedback 4-20mA, 2 limit switch										C	
Control Actuator CA260C, 90-260V 50/60Hz, with position electronic, Standard adjustment 4-20mA, feedback 4-20mA, 2 limit switch										D	
On-Of (3-point) actuator CA24, 24V AC/DC										E	
On-Off (3-point) actuator CA260, 90-260V, 50/60Hz										F	
Control plug:											
none											-
linear 100%											1
equal percentage 100%											2
linear 40%											3
equal percentage 40%											4
linear 25%											5
equal percentage 25%											6
Safety position:											
without safety position											-
spring to close											0
spring to open											1
Stroking times											
Standard (2 s/mm for control actuators - 3 s/mm for on-off-actuators)										-	
3 s/mm										4	
1,5 s/mm										5	

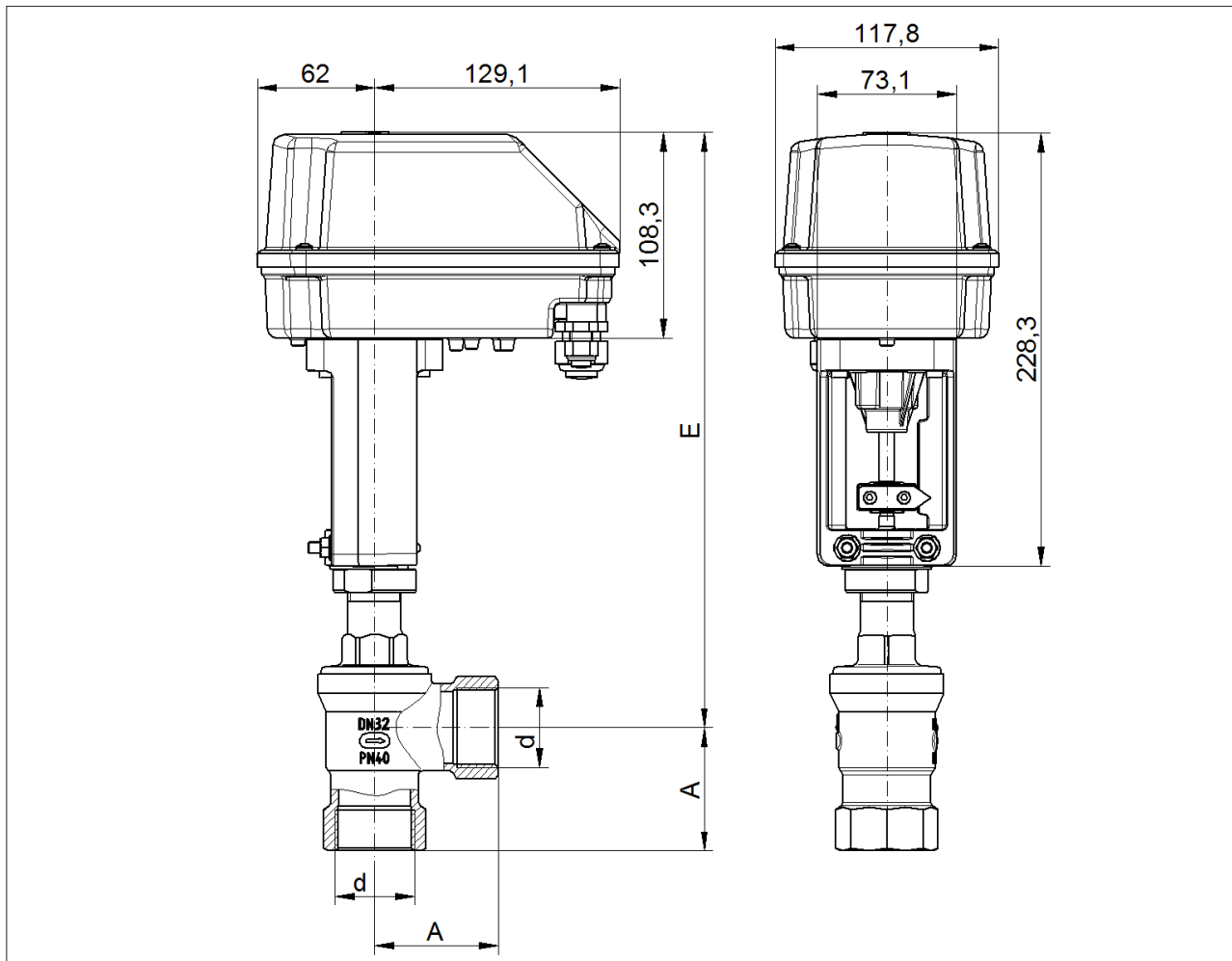
Ordering example:

7250/025VK702021

Right Angled seat compact motor valve type 7250, DN 25, pipe thread acc. ISO 228-1 stainless steel body, seating seal PTFE, control actuator BM24C/I, 24V AC/DC, 0,8 kN, control electronics 4-20 mA, position feedback 2-10V, linear characteristic, Kvs-value 14 (100 %).

Right Angle Seat Motor Valve compact 7250

Dimensions and Weights for CA-actuators



DN	d	A	E	Stroke	Weight kg
15	1/2"	41	284	9	2,4
20	3/4"	41	285	14	2,7
25	1"	41	298	18	2,8
32	1 1/4"	65	299	21	3,4
40	1 1/2"	65	302	22	3,6
50	2"	65	319	22	4,2

Dimensions in mm