

Right Angle Seat Motor Valve 7250

1/2" up to 2"



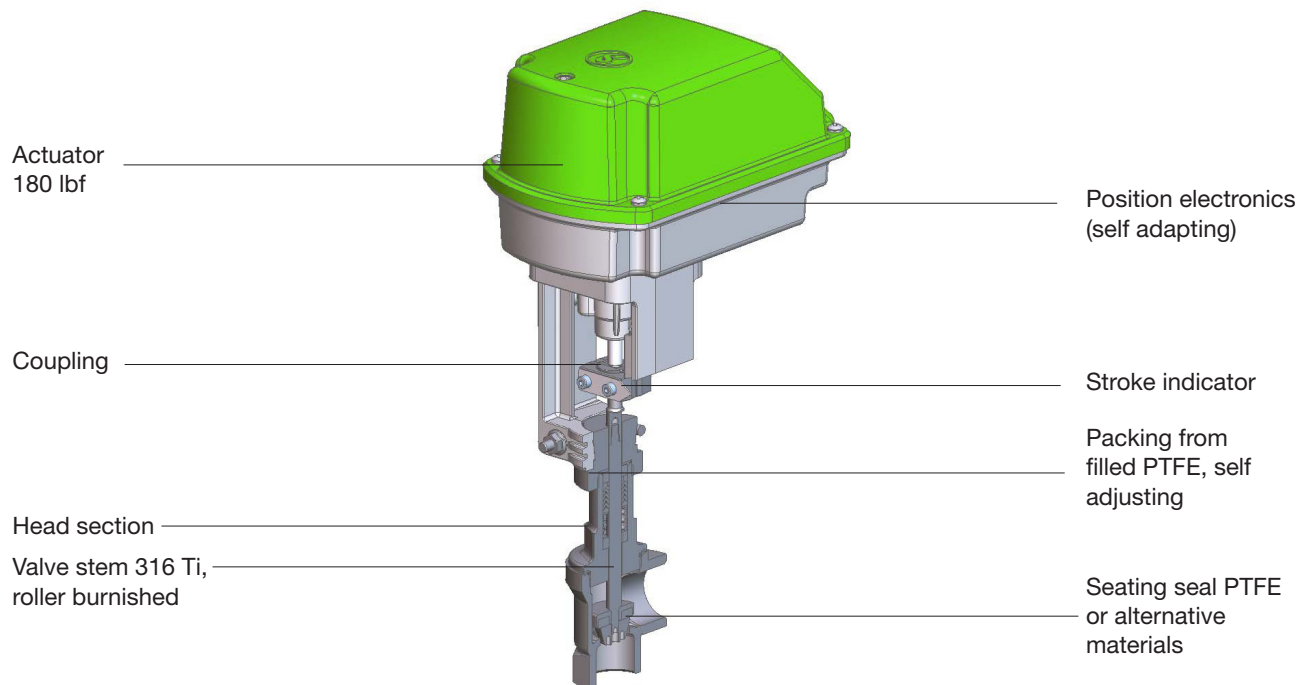
Motor valve for on/off- and modulating operation for neutral and aggressive media.

- Compact design
- Self adaption
- Unaffected by lightly contaminated media
- For temperatures from -148°F up to +428°F
- Working pressure up to 580 psi
- Versatile actuator options
- Actuators with control function also available with safety position



Technical Information Valve

Body materials	Stainless steel CF8M
Nominal sizes	1/2" up to 2"
Connections:	
Pipe threads acc. ISO 228-1	1/2" - 2"
NPT thread	1/2" - 2"
Nominal pressure	580 psi
Media temperature	-22°F up to +392°F, opt. -148°F up to +392°F
Viscosity	max. 600 mm ² /s (600 cSt)
Vacuum	max. 0,0295 mercury (Hg)
Operating pressure packing underneath	max. 175 psi



Technical Information CA-Actuator

Function	Control				On/Off	
	CA24C	CA260C	CA24C-R	CA260C-R	CA24	CA260
Motor type	24V AC/DC	90-260V AC	24V AC/DC	90-260V AC	24V AC/DC	90-260V AC
Mains connection	(0)2-10V / (0)4-20mA				(2)3-term	
Set point range	(0)2-10V / (0)4-20mA				optional	
Feedback	2				optional	
Limit switch	24V AC/DC 200 mA				250V AC/DC 1A	
Max. switching capacity	38.1 / 50.8 / 76.2 s/inch (Standard: 50.8 s/inch)				50.8 or 76.2 s/inch (Standard: 76.2 s/inch)	
Actuating speed	Monitoring of tensile force, set point, temperature of the electronics, etc.				Tensile force monitoring	
Safety functions	Storage of motor and total operating time, temperature and directional classes, etc.				-	
Diagnostic functions	-	-	freely adjustable		-	
Fail Safe position	500 Ω for current set point / 95 kΩ for voltage set point					
Load	13 W	12 W	13 W	12 W	13 W	12 W
Max. input	10 W					
Input heating resistor	6 A	2,5 A	6 A	2,5 A	6 A	2,5 A
Starting current	800 N					
Actuating power	IP 65					
Protection class (EN 60529)	14°F to +140°F					
Adm. Ambient temperature	100%					
Duty cycle						

*: for control with volt-signal split range adjustments are possible

Wiring diagrams of the actuators can be found in the manual.

Pressure Capability

Nominal size	Inlet pressure psi											
	DN15		DN20		DN25		DN32		DN40		DN50	
	On/off	Control	On/off	Control	On/off	Control	On/off	Control	On/off	Control	On/off	Control
Stainless steel body	580	230	290	230	175	175	100	100	70	70	40	40

Cv-Values (Stroke)

Characteristic	linear						equal percentage					
	1/2"	3/4"	1"	1 1/4"	1 1/2"	2"	1/2"	3/4"	1"	1 1/4"	1 1/2"	2"
100 %	6,03 (0,34)	12,18 (0,56)	19,14 (0,60)	29 (0,72)	38,28 (0,72)	46,40 (0,83)	4,76 (0,34)	10,79 (0,56)	13,92 (0,56)	18,56 (0,72)	25,52 (0,72)	-
40 %	2,44 (0,34)	4,87 (0,28)	7,66 (0,40)	11,60 (0,40)	18,56 (0,72)	-	1,97 (0,34)	4,29 (0,28)	5,57 (0,36)	7,42 (0,40)	14,85 (0,48)	-
25 %	1,51 (0,34)	3,02 (0,28)	4,76 (0,40)	-	-	-	1,16 (0,34)	2,67 (0,28)	3,48 (0,36)	-	-	-
On-Off	6,38 (0,34)	12,18 (0,56)	19,72 (0,60)	29 (0,72)	40,60 (0,72)	52,20 (0,83)						

Right Angle Seat Motor Valve 7250

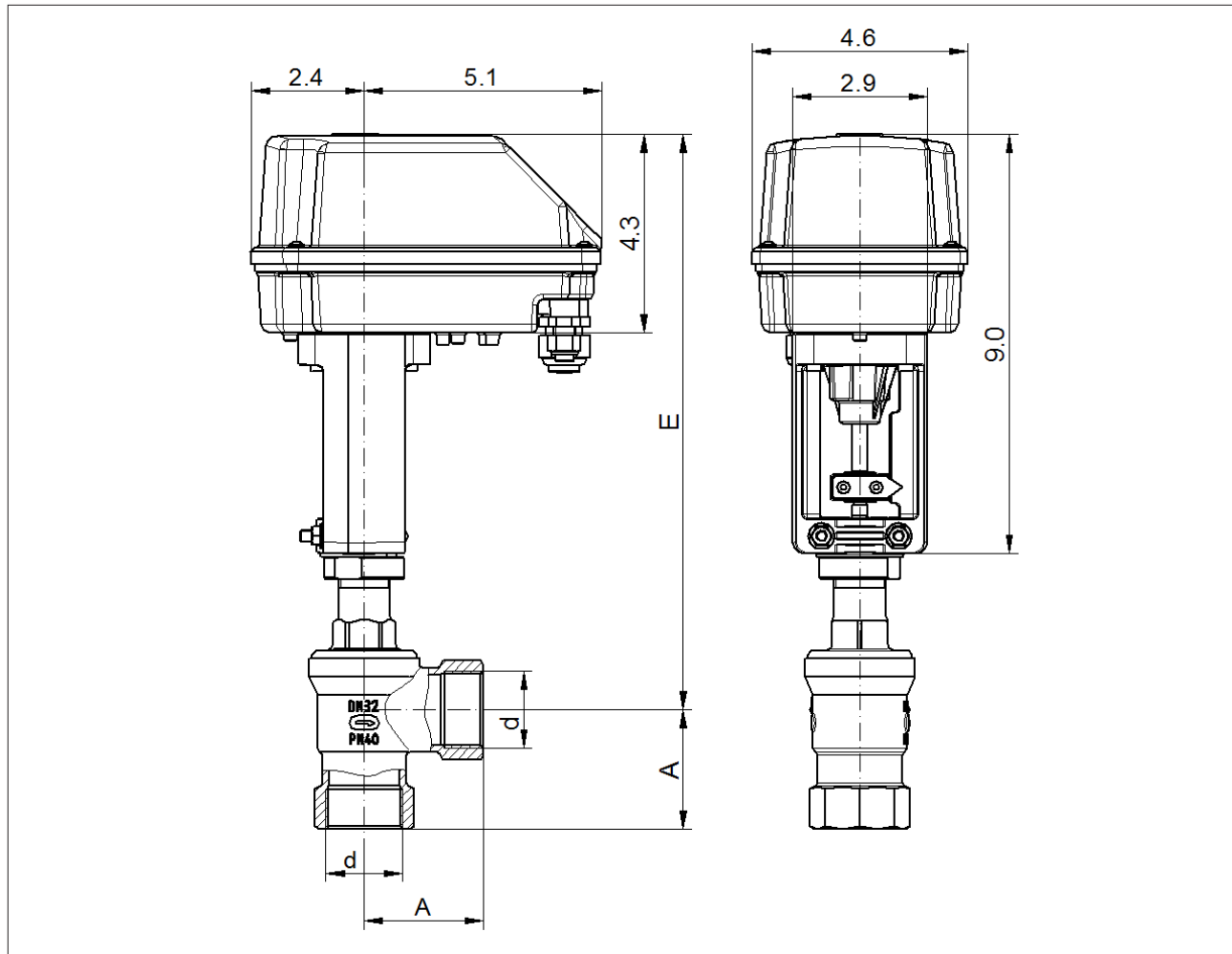


Ordering Number System

		Article number									
		7250/		K						S	
Nominal size:											
1/4" (DN 15)		015									
3/4" (DN 20)		020									
1" (DN 25)		025									
1 1/4" (DN 32)		032									
1 1/2" (DN 40)		040									
2" (DN 50)		050									
Item:											
Valve		V									
Upper part		U									
Actuator		A									
Body design:											
Right angled body valve			7								
Connection:											
Whitworth-thread				0							
NPT thread				5							
without thread				6							
Body material:											
Stainless steel					2						
Seating seal:											
PTFE						0					
FKM (Viton)						1					
EPDM						2					
NBR						3					
Actuator:											
Control actuator CA24C, 24V AC/DC, with position electronic, stanard adjustment: control signal 4-20mA, feedback 4-20mA, 2 limit switch								C			
Control Actuator CA260C, 90-260V 50/60Hz, with position electronic, Standard adjustment 4-20mA, feedback 4-20mA, 2 limit switch								D			
On-Of (3-point) actuator CA24, 24V AC/DC								E			
On-Off (3-point) actuator CA260, 90-260V, 50/60Hz								F			
Control plug:											
none									-		
linear 100%									1		
equal percentage 100%									2		
linear 40%									3		
equal percentage 40%									4		
linear 25%									5		
equal percentage 25%									6		
Safety position:											
without safety position										-	
spring to close										0	
spring to open										1	
Stroking times											
Standard (51 s/inch for control actuators - 76 s/inch for on-off-actuators)											-
76 s/inch											4
38 s/inch											5

Ordering example: 7250/025VK702021
 Right angled seat compact motor valve type 7250, 1", pipe thread acc. ISO 228-1, stainless steel body, seating seal PTFE, control actuator BM24C/I, 24V AC/DC, 180 lbf, control electronics 4-20 mA, position feedback 2-10V, linear characteristic, Cv-value 16.2 (100 %).

Dimensions and Weights for CA-actuators



Size d	A	E	Stroke	Weight lbs
1/2"	1.6	11.2	0.35	5.3
3/4"	1.6	11.2	0.55	5.9
1"	1.6	11.75	0.7	6.2
1 1/4"	2.55	11.75	0.85	7.5
1 1/2"	2.55	11.9	0.85	7.9
2"	2.55	12.55	0.85	9.2

Dimensions in mm