

3/2 - Way Motor Valve 7280



1/2" up to 1 1/2"

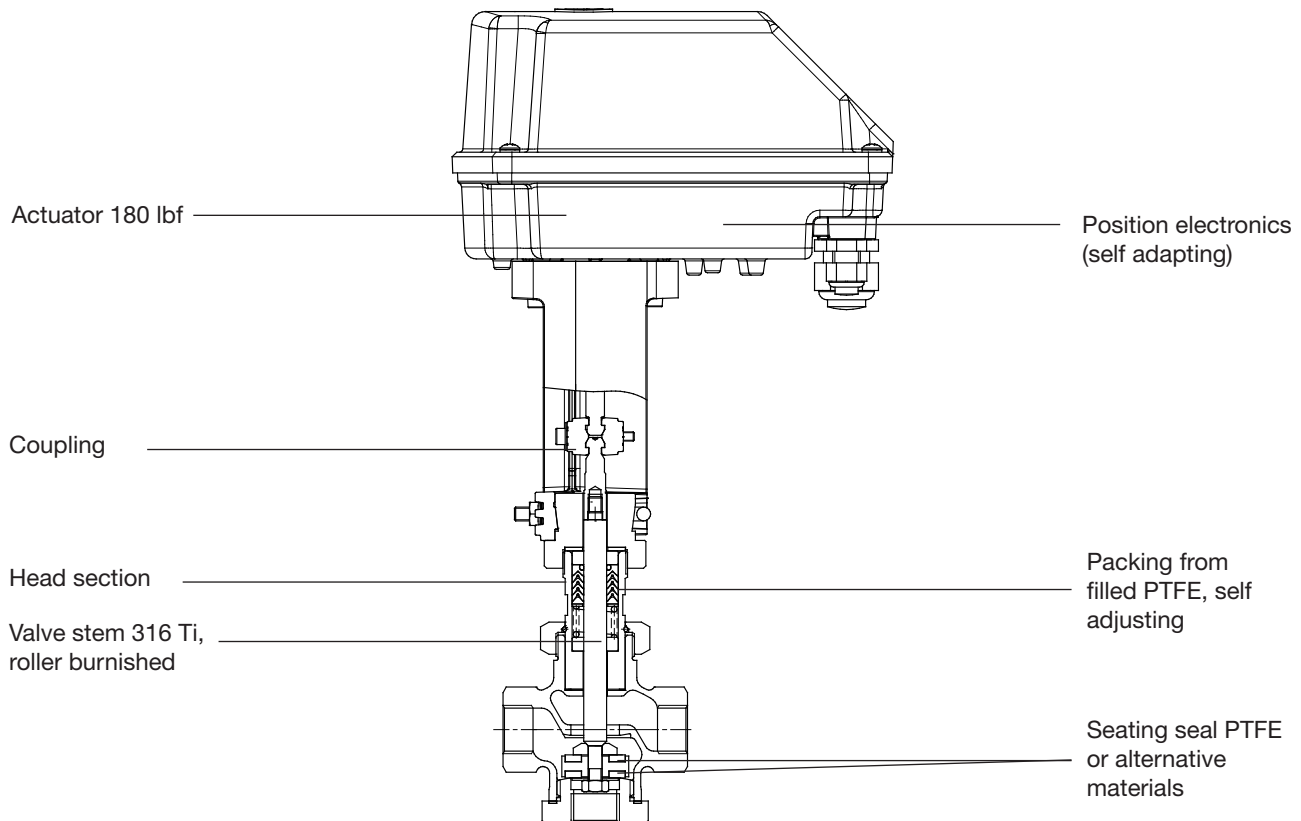
3/2-Way Compact Motor Valve for distributing function, mixing function and modulating operation for neutral and aggressive media

- Compact design
- Self calibration
- Unaffected by lightly contaminated media
- For operating temperatures from -40°F up to +392°F
- Versatile actuator options
- Actuators with control function also available with safety position



Technical Information Valve

Body material	Bronze
Nominal size	1/2" up to 1 1/2"
Connections	Pipe thread acc. ISO 228-1 NPT thread
Nominal pressure	235 psi
Max. fluid temperature	-40°F up to +392°F
ambient temperature	+14°F up to +140°F
Viscosity of media	720 cps



Technical Information Motor CA-Actuator

Function	Control				On/Off	
	CA24C	CA260C	CA24C-R	CA260C-R	CA24	CA260
Motor type	CA24C	CA260C	CA24C-R	CA260C-R	CA24	CA260
Mains connection	24 V AC/DC	100-240 V AC	24 V AC/DC	100-240 V AC	24 V AC/DC	100-240 V AC
Set point range	(0)2-10 V / (0)4-20 mA				3-point**	
Mains frequency	50/60 Hz				50/60 Hz	
Feedback	(0)2-10 V / (0)4-20 mA				optional	
Dead band	±0.6 % of the entire stroke				-	
Repeatability	±0.3 % of the entire stroke				-	
Limit switch	2				optional	
Potentiometer feedback	-				optional	
Max. switching capacity	24 V AC/DC 200 mA				250 V AC/DC 1 A	
Actuating speed	38.1 / 50.8 / 76.2 s/inch (Standard: 50.8 s/inch)				50.8 or 76.2 s/inch (Standard: 76.2 s/inch)	
Safety functions	Monitoring of tensile force, set point, temperature of the electronics, etc.				Tensile force monitoring	
Diagnostic functions	Storage of motor and total operating time, temperature and directional classes, etc.				-	
Fail Safe position	-	-	freely adjustable		-	
Load	500 Ω for current set point / 95 kΩ for voltage set point				-	
Max. power consumption	13 W	12 W	13 W	12 W	13 W	12 W
Input heating resistor	10 W					
Starting current	6 A	2.5 A	6 A	2.5 A	6 A	2.5 A
Actuating power	180 lbf					
Protection class (EN 60529)	IP 65***					
Adm. Ambient temperature	14 °F to +140 °F					
Duty cycle	100 %					

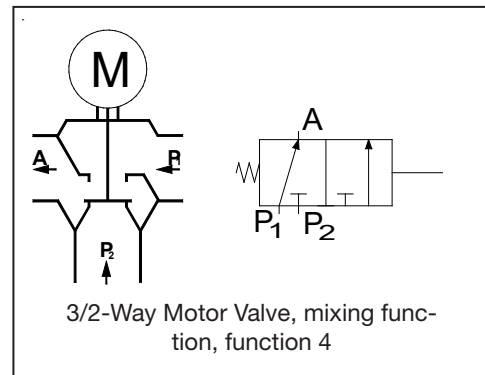
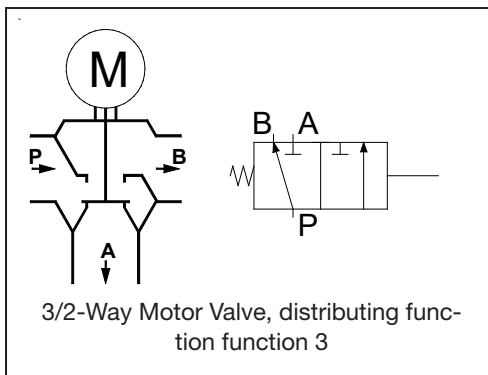
* for control with volt-signal split range adjustments are possible

** Minimum on-time 200 ms

*** Dustproof, protected against water jets from any angle

Wiring diagrams of the actuators can be found in the manual.

Versions



Cv-Values

Size	P-B	P-A	P1-A	P2-A
1/2"	6,4	6,1	6,6	6,1
3/4"	8,6	10,1	8,5	11
1"	14,3	14,5	14,6	16,2
1 1/4"	28,3	23,2	29,6	24,4
1 1/2"	30,9	26,7	35,1	27

Pressure Capability

Nominal size	Inlet pressure psi				
	1/2"	3/4"	1"	1 1/4"	1 1/2"
	220	220	115	45	45

3/2 - Way Motor Valve 7280



Ordering Number System

		Article number									
		7280/			K						S
Nominal size:											
1/2" (DN 15)		015									
3/4" (DN 20)		020									
1" (DN 25)		025									
1 1/4" (DN 32)		032									
1 1/2" (DN 40)		040									
Item:											
Valve		V									
Valve without actuator		U									
Actuator		A									
Body design:											
3/2-Way Motor Valve, distributing function					3						
3/2-Way Motor Valve, mixing function					4						
Connection:											
Withworth-thread						0					
NPT thread						5					
Body material:											
Bronze							1				
Seating seal:											
PTFE								0			
Actuator:											
Control actuator CA24C, 24V AC/DC, with position electronic, stanard adjustment: control signal 4-20mA, feedback 4-20mA, 2 limit switch									C		
Control Actuator CA260C,100-240V, 50/60Hz, with position electronic, Standard adjustment 4-20mA, feedback 4-20mA, 2 limit switch									D		
On-Of (3-point) actuator CA24, 24V AC/DC									E		
On-Off (3-point) actuator CA260, 100-240V, 50/60Hz									F		
Control plug:											
without										-	
Safety position:											
without safety position											-
Spindle travelling into valve, set point time < 0,06 inch/sec											0
Spindle travelling out of valve, set point time < 0,06 inch/sec											1
Stroking times:											
Standard (51 s/inch for control actuators - 76 s/inch for on-off-actuators)											-
76 s/inch											4
38 s/inch											5

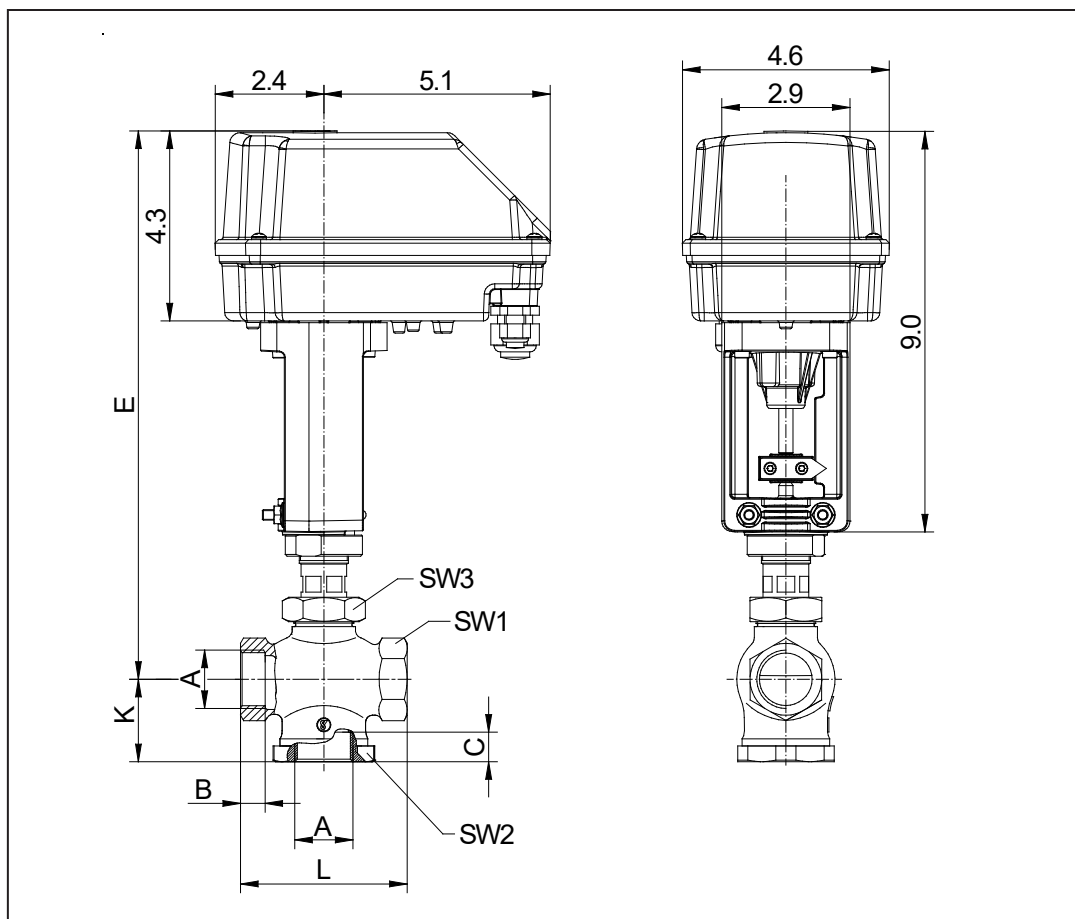
Ordering example:

7280/025VK4510C:

3/2-Way compact Motor valve Type 7280, 1", NPT- thread , bronze body, seating seal PTFE, control actuator CA24C, 180 lbf, 24V AC/DC, control electronics 4-20 mA, position feedback 2-10 V

3/2 - Way Motor Valve 7280

Dimensions and Weights CA-Actuator



Size	A Rp / NPT	C Rp	C NPT	E	Stroke	K	L	SW1	SW2	SW3	Weight kg
1/2"	1/2"	0.6	0.6	14.2	0.4	1.5	3.5	1.3	1.6	1.6	6.4
3/4"	3/4"	0.6	0.6	14.2	0.4	1.7	3.5	1.3	1.6	1.6	6.4
1"	1"	0.8	0.7	14.7	0.4	1.9	4.3	1.6	2.2	1.6	7.3
1 1/4"	1 1/4"	0.8	0.7	15.3	0.4	2.4	5.1	2.3	3	1.6	9.3
1 1/2"	1 1/2"	0.7	0.7	15.3	0.7	2.4	5.2	2.3	3	1.6	9.3