

3/2-Way Motor Control Valve

Type 7282

DN 15 up to DN 50



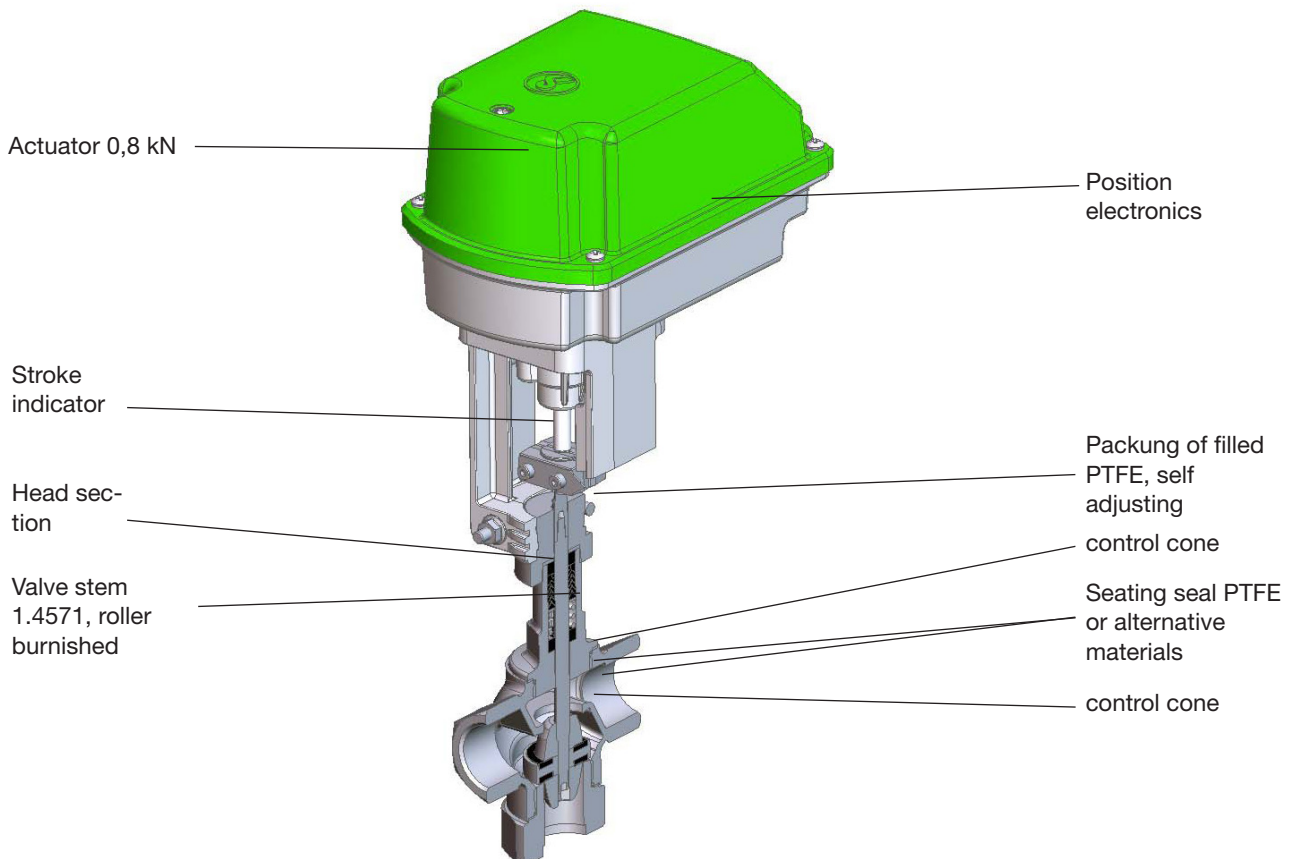
3/2-Way Motor Valve in stainless steel for distributing function, mixing function and modulating operation for neutral and aggressive media.

- Compact design
- Self calibration
- Unaffected by lightly contaminated media
- For temperatures from -50°C up to +220°C
- Versatile actuator options
- Actuators with control function also available with safety position



Technical Information Valve

Body materials	Stainless steel 1.4408
Nominal sizes	DN 15 up to DN 50
Connections	Pipe thread acc. ISO 228-1: G 1/2" - 2" NPT thread: 1/2" - 2"
Nominal pressure	PN40
Media temperature	-30°C up to + 200°C, opt. -50°C up to +220°C
ambient temperature	-10°C up to +60°C

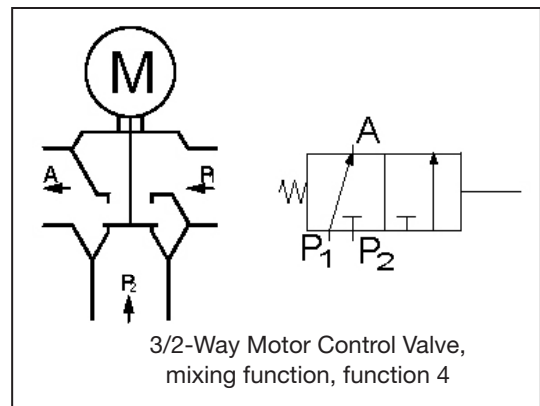
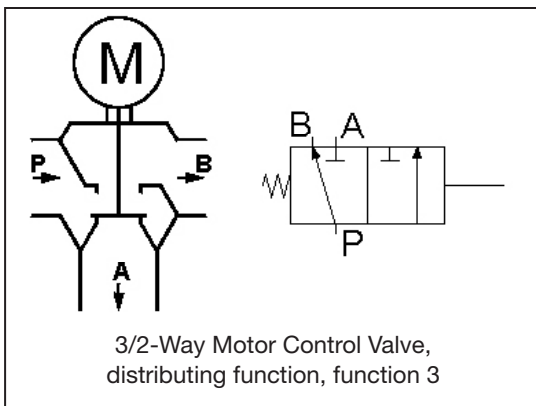


Technical Information CA-Actuator

Function	Control				On/Off	
Motor type	CA24C	CA260C	CA24C-R	CA260C-R	CA24	CA260
Mains connection	24 V AC/ DC	100-240 V AC	24 V AC/ DC	100-240 V AC	24 V AC/DC	100-240 V AC
Set point range	(0)2-10 V / (0)4-20 mA				3-point**	
Mains frequency	50/60 Hz				50/60 Hz	
Feedback	(0)2-10 V / (0)4-20 mA				optional	
Dead band	±0.6 % of the entire stroke				-	
Repeatability	±0.3 % of the entire stroke				-	
Limit switch	2				optional	
Potentiometer feed-back	-				optional	
Max. switching capacity	24 V AC/DC 200 mA				250 V AC/DC 1 A	
Actuating speed	1.5 / 2 / 3 s/mm (Standard: 2 s/mm)				2 or 3 s/mm (Standard: 3 s/mm)	
Safety functions	Monitoring of tensile force, set point, temperature of the electronics, etc.				Tensile force monitoring	

Wiring diagrams of the actuators can be found in the manual.

Functions



Kvs-Values

Size	DN15	DN20	DN25	DN32	DN40	DN50
P-B	5,5	6,5	10	15	45	41
P-A	7,5	10	14	18	27	57
P1-A	5,5	6,5	10	15	27	41
P2-A	7,5	10	14	18	45	57

Admissible Differential Pressures

Nominal size	Differential pressure max [bar]					
	DN15	DN20	DN25	DN32	DN40	DN50
	15	15	8,5	4,8	2,5	1,2

3/2-Way Motor Control Valve 7282

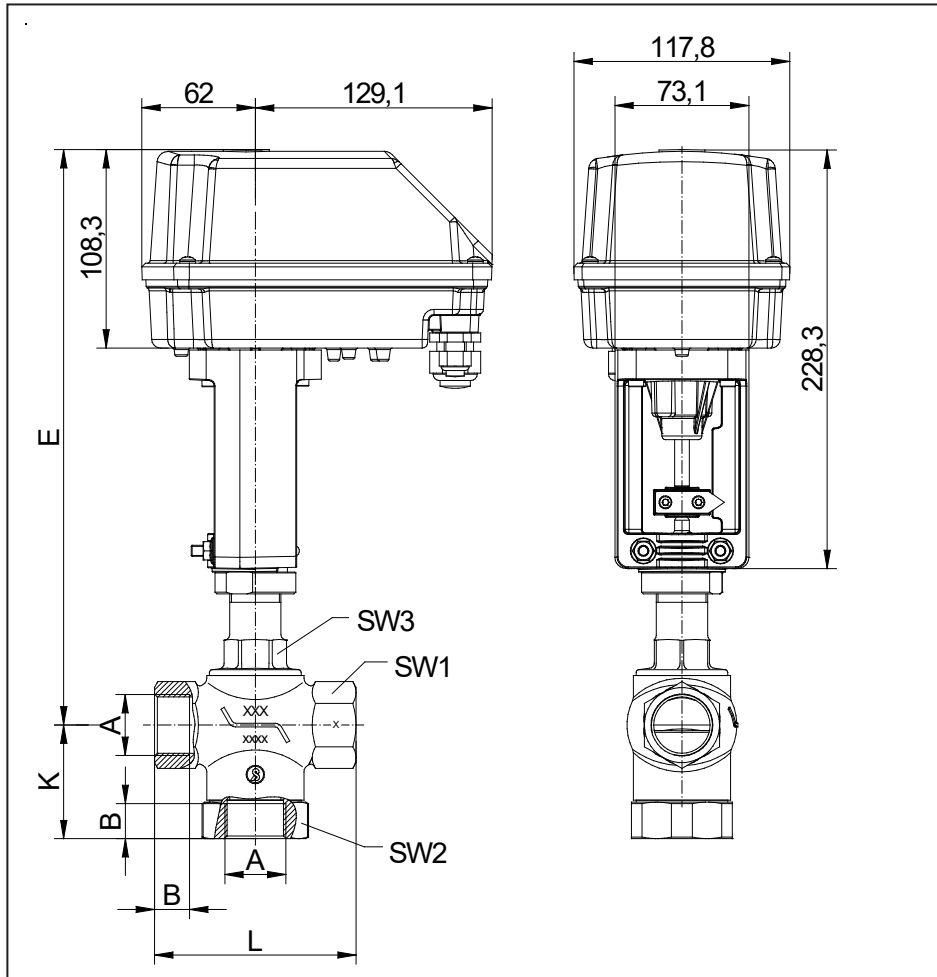


Ordering Number System

		Article number									
		7282/		K						S	
Nominal size:											
DN 15		015									
DN 20		020									
DN 25		025									
DN 32		032									
DN 40		040									
DN 50		050									
Item:											
Valve		V									
Valve without actuator		U									
Actuator		A									
Body design:											
3/2-Way Motor Valve, distributing function				3							
3/2-Way Motor Valve, mixing function				4							
Connection:											
Withworth-thread						0					
NPT thread						5					
Body material:											
Stainless steel 1.4408							2				
Seating seal:											
PTFE								0			
Actuator:											
Control actuator CA24C, 24V AC/DC, with position electronic, stanard adjustment: control signal 4-20mA, feed-back 4-20mA, 2 limit switch									C		
Control Actuator CA260C, 100-240V, 50/60Hz, with position electronic, Standard adjustment 4-20mA, feedback 4-20mA, 2 limit switch									D		
On-Of (3-point) actuator CA24, 24V AC/DC									E		
On-Off (3-point) actuator CA260, 100-240V, 50/60Hz									F		
Control plug:											
linear 100%										-	
Safety position:											
without safety position											-
Fail-Safe: normally closed at power failure											2
Fail-Safe: normaly open at power failure											3
Fail Safe: position acc. customer request											4
Stroking times:											
Standard (2 s/mm for control actuators - 3 s/mm for on-off-actuators)											-
3 s/mm											4
1,5 s/mm											5

Ordering example: 7282/025VK4020C
 3/2-Way Motor Control Valve Type 7282, DN 25, pipe thread acc. ISO228-1, stainless steel body 1.4408, seating seal PTFE, control actuator CA24C, 0,8 kN, 24V AC/DC, control electronics 4-20 mA, position feedback 4-20 mA, control cone lin. 100%.

Dimensions and Weights CA-Actuators



DN	A G / NPT	B	B	E	Stroke	K	L	SW1	SW2	SW3	Weight kg
		G	NPT								
15	1/2"	15	14,5	300	14	62	90	26	41	30	3,1
20	3/4"	16,3	15	300	14	62	90	32	41	30	3,1
25	1"	19,1	18	312	14	63	110	41	55	30	3,5
32	1 1/4"	21,4	18,4	316	15	74	130	48	65	30	4,1
40	1 1/2"	21,4	18,4	331	23	88	140	58	75	32	5,0
50	2"	25,7	19	344	23	95	180	85	90	36	8,2

Dimensions in mm