

GS 3 series - 1/2" up to 10"

Fast and high resolution sliding gate motor valve for control and switching of neutral through to highly aggressive media in process engineering, chemical industries and for plant equipment

- Space saving wafer type construction
- Lowest possible weight (especially in larger sizes)
- Low operation noise level (quiet operation)
- Control of high differential pressures with small actuators
- Fast stroking speed
- Small dead band
- Smooth start and slow down
- Metal body
- Meets the requirements of TA-Luft 2021



Technical Information

Body design	ANSI flange wafer (self-aligning) - for flanges acc. ASME B16.5 RF or DIN EN 1092-1 - with threaded connection (only 580 psi in stainless steel; 1/2" up to 2") Form B		
Nominal size	1/2" up to 10"		
Nominal pressure acc. EN 1333	580 psi (fits also to 145-365 psi) 1450 psi 230 psi	1/2" - 6" 1/2" - 3" 8" - 10"	
Nominal pressure acc. ANSI	ANSI 150 ANSI 300 ANSI 600	1/2" - 10" 1/2" - 6" 1/2" - 3"	
Nominal pressure acc. JIS for flanges with raised face	10K 20K	1/2" - 2" 1/2" - 1 1/2"	
Flange gaskets (customer side)	ANSI B16.21 or DIN EN 1514-1 in the respective nominal pressure rating		
Media temperature	Versions from -76°F up to +660°F		
Rangeability	40 : 1 linear / 80 : 1 equal percentage		
Leakage % of Cv IEC 60534-4 EN 12266-1	Disc pair Carbon-stainless steel < 0,0001 IV-S1 E	Disc pair SFC < 0,0005 IV-S1 F	Disc pair STN 2 < 0,001 IV F
Specific leakage rate shaft and body sealing	ISO FE-BH-CC3-SSA0-t(-40°C/+350°C)-PN40-ISO 15848-1		

* With DN15 with reduction of less than 25%, different leakage rates possible.
K_{vs} -values see data sheet 8001.

Fluid temperature

Rating	PN16	PN 40	PN 100	ANSI 150	ANSI 300	ANSI 600
Body material cpl. stainless steel						
Tmin [°F]	-76	-76	-76	-20	-20	-20
Tmax [°F]	662	662	662	662	662	662
Body material carbon steel with stainless steel body cover						
Tmin [°F]	-76	-76	14	-4	-4	-4
Tmax [°F]	662	662	662	662	662	662
Body material cpl. Alloy C-276						
Tmin [°F]	-76	-76	-76	-20	-20	-20
Tmax [°F]	662	662	662	662	662	662

Materials

Stainless steel version			
Valve body	stainless steel, CF8M		
Bodycover	stainless steel, 316L		
Valve stem	stainless steel 316Ti, roller burnished		
coupling ring	Stainless steel 1.4581		
Packing tube	Stainless steel CF8M		
Packing	PTFE carbon filled (spring SST 301)		
Body seal	Graphite with stainless foil		
Fixed disc	stainless steel coated	STN2-disc	STN3-disc
Sliding disc	special carbon material SFC-disc (max. +572°F)	STN2-disc	STN3-disc

carbon steel version			
Valve body	carbon steel, ASTM A216 WCB		
Bodycover	stainless steel, 316L		
Valve stem	stainless steel 316Ti, roller burnished		
coupling ring	Stainless steel 1.4581		
Packing tube	Stainless steel CF8M		
Packing	PTFE carbon filled (spring SST 301)		
Body seal	Graphite with stainless foil		
Fixed disc	stainless steel coated	STN2-disc	STN3-disc
Sliding disc	special carbon material SFC-disc (max. +572°F)	STN2-disc	STN3-disc

Version in Alloy C-276			
Valve body	Alloy C-276, 2.4819		
Bodycover	Alloy C-276, 2.4819		
Valve stem	Alloy C-276, 2.4819		
coupling ring	Alloy C-276, 2.4819		
Packing tube	Alloy C-276, 2.4819		
Packing	PTFE carbon filled (spring Alloy C4, 2.4610)		
Body seal	Pure graphite		
Fixed disc	Alloy C-276, 2.4819	STN3-disc	
Sliding disc	special carbon material	STN3-disc	

For all versions	
Coupling	zinc die-cast or stainless steel
Mounting parts	stainless steel

Technical Information of the Actuator

Driving force	2,0 kN / 5,0 kN		
Power connections	24 V AC/DC		
	100 - 240 V 50/60Hz		
Ambient temperature	Standard:	-10°C up to +60°C	
	Low temperature version:	-40°C up to +60°C	
Storage Temperature	Standard:	-30°C up to +80°C (+60°C with Fail-Safe protection)	
	Low temperature version:	-40°C up to +80°C (+60°C with Fail-Safe protection)	
Mounting position	choice horizontal or vertical actuator only		
Protection class (EN 60529)	IP 67		
Max. power consumption at 24V AC/DC-operation:	40 Watt		
Nominal power consumption during mains operation	Mains voltage 230V:	P=40W S=67,8VA I=295mA	cosφ=0.59
	Mains voltage 115V:	P=40W S=58,8VA I=511mA	cosφ=0.68
Dead band	±0,2% at min. 6mm stroke		
Repeat accuracy	±0,1% at min. 6mm stroke		
Stroking speed	2,0 kN-version:	0,75 s/mm up to 250 s/mm (standard 1,5 s/mm)	
	5,0 kN-version:	2 s/mm up to 250 s/mm (standard 4 s/mm)	
Stroking speed of the Fail-Safe protection	2,0 kN-version:	0,75 s/mm up to 4 s/mm	
	5,0 kN-version:	2 s/mm up to 4 s/mm	
Set point range	adjustable 0(4) - 20 mA, 0(2) - 10 V		
	optional binary input signal (24V DC)		
Feed back	adjustable 0(4) - 20 mA, 0(2) - 10 V		
cycles (Fail-Safe)	500000		
life-time (Fail-Safe)	10 years		
duty cycle	100%		
Self Monitoring	monitoring of the driving power, set point, actuator temperature, temperature of the electronic etc.		
Diagnostic function	storage of motor and total service life, temperature- and way classes		
Valve adaptation	automatic stroke adjustment to suit valve limits		
additional inputs	binary input		
additional outputs	2 alarm outputs		
Electrical connection	Power supply M20x1.5 (optional NPT 1/2")		
	Signal/position feedback 2x M16x1.5		

Stroking Times

DN	Stroke	Stroking time (sec.) for the complete stroke at a stroking speed of				
		19 s/inch	25 s/inch	38 s/inch	51 s/inch	102 s/inch
1/2" - 1 1/2"	0,25	4,7	6,3	9,4	12,5	25,0
2" - 3"	0,32	6,2	8,3	12,4	16,5	33,0
4" - 10"	0,34	6,6	8,8	13,1	17,5	35,0
				Standard 450 lbf-actuator	min. stroking time for 1100 lbf-actuator	Standard 1100 lbf-actuator

Options

2 additional stroke limit switches	free adjustable volt free contacts (open/close)
Fail safe protection	Mounted in own body at actuator Safety position freely selectable
Communication software	with communication link, for parametrization and diagnosis of the actuator
Bluetoothmodul BT-1	Wireless connection to DeviceConfig configuration software (upgrade option)

Actuator with fail-safe protection (Option)

- Safety function at power failure
- Power supply via high performance capacitors
- Safety position open, closed or in every other position selectable
- Automatic monitoring of the charge condition of the capacitors



Admissible Pressures (For temperatures of up to 100°F for ANSI-classes and up to 250°F for PN-classes)

For temperatures exceeding 100°F (ANSI) or 250°F (PN): consider operation limits

Size	driving force: 450 lbf		driving force: 1100 lbf	
	max. pressure (psi)			
	carbon/SFC - stainless steel coated	STN2	carbon/SFC - stainless steel coated	STN2
1/2" **	1480	1480	1480	1480
3/4"	1480	1480	1480	1480
1" **	1276 (1480)*	1105	1276 (1480)*	1276 (1480)*
1 1/4"	1480	820	1480	1480
1 1/2" **	1220	565	1276 (1450)*	1055
2" **	800	335	1450	870
2 1/2"	675	275	1160	710
3" **	430	165	695	430
4"	275	105	480	265
5"	185	70	335	180
6"	140	50	230	130
8"	80	25	205	75
10"	50	-	130	-

*: figures in brackets for bodys made of carbon steel

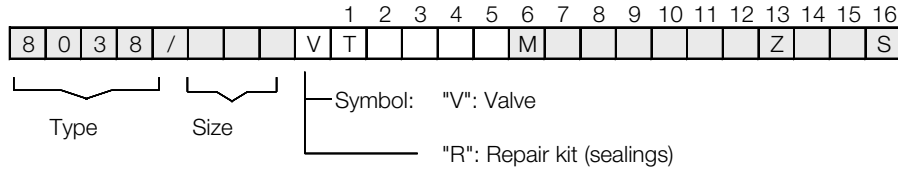
** Nominal size available in Alloy C-276 design

	Pressure limits ANSI and DIN in psi					
	ANSI150	ANSI 300	ANSI 600	PN16	PN40	PN100
P max. carbon steel / Alloy C276	284	741	1480	232	580	1450
P max. stainless steel	276	719	1440			

Sliding Gate Motor Valve 8038-GS3



Ordering Number System



1 - 5 : Please quote all 5 sections.
6 - 16 : Quote only if required.

1.	Function	2.	Body design	3.	Body material	4.	Security position	5.	Actuator	6.	Special versions	7.	Motor voltages
T	GS-motor valve (type 8038)	E	GS3-flangeless design acc. ANSI 150	0	carbon steel ASTM A216 WCB	-	without	A	450 lbf, position-electronic, IP67	M	to state, if some sections 7-19 are quoted	-	100 - 240V 50/60 Hz (Standard)
		F	GS3-flangeless design acc. ANSI 300	1	stainless steel CF8M	1	Fail Safe Function: Safety position closed in the case of power failure	B	1100 lbf, position-electronic, IP67			1	24V AC/DC
		K	GS3-flangeless design acc. ANSI 600	5	Alloy C-276			L	450 lbf actuator, low temperature version (to -40°F) with position-electronics, IP67				
		G	GS3-flangeless design acc. DIN, 145-580 psi			2	Fail Safe Function: Safety position opened in the case of power failure						
		H	GS3 - flangeless design acc. DIN, 1450 psi			3	Fail Safe Function: position in case of power failure according to customer specification						
		R	GS3 version with inner thread acc. ISO 228-1 (G-thread), pressure rating 580 psi										
		U	GS3 version with inner NPT thread acc. ANSI B 1.20.1, pressure rating 580 psi										
8.	Stem sealing	9.	Moving disc	10.	Fixed disc	11.	Kvs-values			13.	Accessories	14.	Input signal
-	PTFE-packing self-adjusting (Standard)	-	carbon	-	stainless steel/ Stellite	-	100 % (Stand.)	-	linear	Z	to state, if further sections are quoted	-	standard 4-20 mA or 2-10 V
		9	STN2/STN3	1	STN2 - plate (only in comb. with the pos."9")	A	red. to 63 %	1	equal percentage			3	0-20mA or 0-10V
1	stainless steel bellow 316 Ti (max. press. 480 psi)	S	SFC	3	STN2 - plate (only in comb. with the pos."9")	2	red. to 16 %					A	binary control 24 V DC - 3-point
						3	red. to 6.3 %						
						4	red. to 2.5 %						
						5	red. to 1 %						
						6	red. to 20 %						
						7	red. to 12 %						
						8	red. to 2 %						
						9	red. to 0,4 %						
15.	Limit switches	16.	Special versions	17.	Stroking time	18.	Special treatment	19.	Feedback	20.	Adjustments	21.	Special additional version
-	without	S	other special versions/ accessory	-	Standard	-	standard	-	standard	-	standard death band ±0,2%	-	without
2	2 limit switches				(450 lbf=38s/inch; 1120 lbf=102s/inch)	1	for oxygen		(At control actuators like control signal)				
				1	19 s/inch	2	silicon-free						
				2	25 s/inch								
				3	51 s/inch								
				4	102 s/inch								

Ordering example: 8038/100VTE1 - AM - - - - - Z - 2
 GS3-control valve with motor actuator, size 4", ANSI 150, stainless steel, actuator 450 lbf, 100 - 240 V 50/60 Hz, PTFE-packing, discs: carbon - stainless steel 1.4571 coated, seat characteristics linear, 2 limit switches

Application limitations for GS3 valves in stainless steel

These pressure must not be exceeded for GS-valves from the GS3-series made of stainless steel, even though the actuator power might allow it.

ANSI150

Size	Sliding unit: carbon/SFC - stainless steel, coated								Sliding unit: STN2							
	max. admissible pressures for GS3-valves in stainless steel								max. admissible pressures for GS3-valves in stainless steel							
	100°F	120°F	210°F	300°F	390°F	480°F	570°F	660°F	100°F	120°F	210°F	300°F	390°F	480°F	570°F	660°F
1/2" - 5"	275	265	235	215	200	175	150	120	275	265	235	215	200	175	150	120
6"	230	230	230	215	200	175	150	120	235	235	235	215	200	170	140	120
8"	230	230	230	215	200	175	150	120	150	145	120	110	100	80	65	55
10"	150	150	150	145	135	120	105	100	-	-	-	-	-	-	-	-

Limitation for SFC-sliding discs: 570°F

ANSI300

Size	Sliding unit: carbon/SFC - stainless steel, coated								Sliding unit: STN2							
	max. admissible pressures for GS3-valves in stainless steel								max. admissible pressures for GS3-valves in stainless steel							
	100°F	120°F	210°F	300°F	390°F	480°F	570°F	660°F	100°F	120°F	210°F	300°F	390°F	480°F	570°F	660°F
1/2" - 2 1/2"	720	695	610	560	520	485	460	440	720	695	610	560	520	485	460	440
3"	695	695	610	560	520	485	460	440	530	530	530	505	480	390	320	275
4"	480	480	480	480	480	480	460	440	480	480	480	460	435	355	290	250
5"	335	335	335	335	335	335	335	335	320	320	320	305	290	235	190	165
6"	230	230	230	230	230	230	230	230	230	230	230	225	210	170	140	120
8"	230	230	230	145	135	120	105	100	230	230	220	200	180	155	140	130

Limitation for SFC-sliding discs: 570°F

ANSI600

Size	Sliding unit: carbon/SFC - stainless steel, coated								Sliding unit: STN2							
	max. admissible pressures for GS3-valves in stainless steel								max. admissible pressures for GS3-valves in stainless steel							
	100°F	120°F	210°F	300°F	390°F	480°F	570°F	660°F	100°F	120°F	210°F	300°F	390°F	480°F	570°F	660°F
1/2" - 3/4"	1440	1395	1225	1115	1035	970	915	880	1440	1395	1225	1115	1035	970	915	880
1"	1275	1275	1225	1115	1015	925	830	785	1275	1275	1225	1115	1015	925	830	785
1 1/4"	1440	1395	1225	1115	1035	970	915	880	1440	1395	1225	1115	1035	970	915	875
1 1/2"	1275	1275	1225	1115	1015	925	830	785	1050	1050	1050	1000	950	770	630	545
2"	1440	1395	1225	1115	1035	970	915	880	1125	1125	1125	1070	1020	825	675	585
2 1/2"	1160	1160	1160	1115	1035	970	915	880	905	905	605	865	820	665	545	470
3"	695	695	695	695	695	695	695	645	530	530	530	505	480	390	320	275

Limitation for SFC-sliding discs: 570°F

PN40

Size	Sliding unit: carbon/SFC - stainless steel, coated							Paarung: STN 2					
	maximum pressures for GS3-valves in stainless steel							maximum pressures for GS3-valves in stainless steel					
	210°F	300°F	390°F	480°F	570°F	660°F	210°F	300°F	390°F	480°F	570°F	660°F	
1/2"-1 1/4"	580	580	580	580	580	580	580	580	580	580	580	580	
1 1/2"	580	580	580	580	580	580	580	580	580	580	580	535	
2"	580	580	580	580	580	580	580	580	580	580	580	580	
2 1/2"	580	580	580	580	580	580	580	580	580	580	535	465	
3"	580	580	580	580	580	580	520	495	480	375	320	275	
4"	480	480	480	480	480	480	465	450	435	350	290	245	
5"	335	335	335	335	335	335	305	305	275	230	190	160	
6"	230	230	230	230	230	230	220	220	205	160	130	115	
8" (only PN16)	230	230	220	190	175	160	120	110	100	80	65	55	
10" (only PN16)	145	130	130	115	100	85	-	-	-	-	-	-	

Limitation for SFC-sliding discs: 570°F

PN100

Size	Sliding unit: carbon/SFC - stainless steel, coated							Paarung: STN 2					
	maximum pressures for GS3-valves in stainless steel							maximum pressures for GS3-valves in stainless steel					
	210°F	300°F	390°F	480°F	570°F	660°F	210°F	300°F	390°F	480°F	570°F	660°F	
1/2"	1450	1450	1450	1350	1220	1145	1450	1450	1450	1350	1220	1145	
3/4"	1450	1450	1290	1175	1060	985	1450	1450	1290	1175	1060	985	
1"	1275	1175	1015	915	825	785	1275	1175	1015	915	825	785	
1 1/4"	1450	1350	1160	1060	945	900	1450	1350	1160	1060	945	870	
1 1/2"	1275	1175	1015	915	825	785	1045	1000	945	770	625	535	
2"	1450	1450	1450	1450	1450	1365	1115	1060	1015	810	665	580	
2 1/2"	1160	1160	1160	1145	1030	970	900	855	810	655	535	465	
3"	695	695	695	695	695	640	520	495	480	375	320	275	

Limitation for SFC-sliding discs: 570°F

Application limitations for GS3 valves in carbon steel

These pressure must not be exceeded for GS-valves from the GS3-series made of carbon steel, even though the actuator power might allow it.

ANSI150

Size	Sliding unit: carbon/SFC - stainless steel, coated								Sliding unit: STN2							
	max. admissible pressures for GS3-valves in carbon steel								max. admissible pressures for GS3-valves in carbon steel							
	100°F	120°F	210°F	300°F	390°F	480°F	570°F	660°F	100°F	120°F	210°F	300°F	390°F	480°F	570°F	660°F
1/2"-5"	285	280	255	230	200	175	150	120	285	280	255	230	200	175	150	120
6"	230	230	230	230	200	175	150	120	235	235	235	225	200	170	140	115
8"	230	230	230	230	200	175	150	120	150	145	120	110	100	65	65	55
10"	150	150	150	145	135	120	105	87	-	-	-	-	-	-	-	-

Limitation for SFC-sliding discs: 570°F

ANSI300

Size	Sliding unit: carbon/SFC - stainless steel, coated								Sliding unit: STN2							
	max. admissible pressures for GS3-valves in carbon steel								max. admissible pressures for GS3-valves in carbon steel							
	100°F	120°F	210°F	300°F	390°F	480°F	570°F	660°F	100°F	120°F	210°F	300°F	390°F	480°F	570°F	660°F
1/2"-2"	740	725	675	655	635	610	565	535	740	725	675	655	635	610	565	535
2 1/2"	740	725	675	655	635	610	565	535	605	605	605	575	545	485	550	470
3"	695	695	675	655	635	610	565	535	530	530	530	505	480	390	319	275
4"	480	480	480	480	480	480	475	475	480	480	480	460	435	355	290	245
5"	335	335	335	335	335	335	330	330	320	320	320	305	290	235	191	155
6"	230	230	230	230	230	230	230	230	230	230	230	225	210	170	141	115
8"	230	230	220	200	180	155	140	130	150	145	120	110	100	65	65	55

Limitation for SFC-sliding discs: 570°F

ANSI600

Size	Sliding unit: carbon/SFC - stainless steel, coated								Sliding unit: STN2							
	max. admissible pressures for GS3-valves in carbon steel								max. admissible pressures for GS3-valves in carbon steel							
	100°F	120°F	210°F	300°F	390°F	480°F	570°F	660°F	100°F	120°F	210°F	300°F	390°F	480°F	570°F	660°F
1/2"-1"	1480	1455	1350	1310	1270	1215	1155	1085	1480	1455	1350	1310	1270	1215	1155	1085
1 1/4"	1480	1455	1350	1310	1270	1215	1155	1085	1480	1455	1350	1310	1270	1215	1010	870
1 1/2"	1450	1450	1350	1310	1270	1215	1155	1085	1050	1050	1050	1000	950	770	630	535
2"	1450	1450	1350	1310	1270	1215	1155	1085	1125	1125	1125	1070	1020	825	675	580
2 1/2"	1160	1160	1160	1160	1160	1160	1155	1085	905	905	905	865	820	665	545	460
3"	695	695	695	695	695	695	695	635	530	530	530	535	480	390	320	275

Limitation for SFC-sliding discs: 570°F

PN40

Size	Sliding unit: carbon/SFC - stainless steel, coated							Sliding unit: STN2					
	max. admissible pressures for GS3-valves in carbon steel							max. admissible pressures for GS3-valves in carbon steel					
	210°F	300°F	390°F	480°F	570°F	660°F	210°F	300°F	390°F	480°F	570°F	660°F	
1/2" - 2"	580	580	580	580	580	580	580	580	580	580	580	580	
2 1/2"	580	580	580	580	580	580	580	580	580	580	535	460	
3"	580	580	580	580	580	580	520	495	480	375	320	275	
4"	480	480	480	480	480	475	480	450	435	350	290	245	
5"	335	335	335	335	335	330	320	305	275	230	190	155	
6"	230	230	230	230	230	230	230	220	205	160	130	115	
8" (only PN16)	230	230	220	190	175	155	120	110	100	80	65	55	
10" (only PN16)	145	130	130	115	100	87	-	-	-	-	-	-	

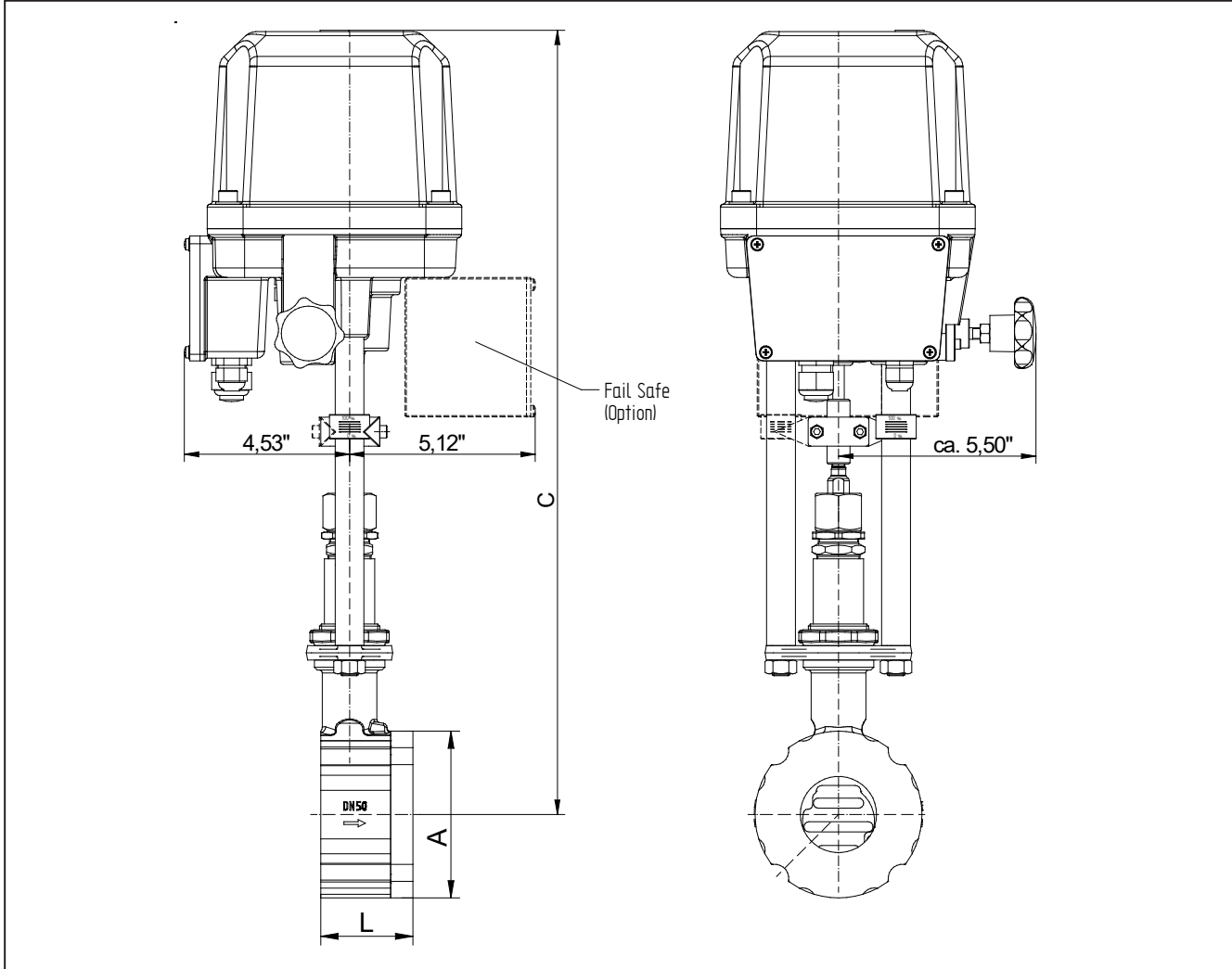
Limitation for SFC-sliding discs: 570°F

PN100

Size	Sliding unit: carbon/SFC - stainless steel, coated							Sliding unit: STN2					
	max. admissible pressures for GS3-valves in carbon steel							max. admissible pressures for GS3-valves in carbon steel					
	210°F	300°F	390°F	480°F	570°F	660°F	210°F	300°F	390°F	480°F	570°F	660°F	
1/2" - 3/4"	1450	1450	1450	1450	1450	1450	1450	1450	1450	1450	1450	1450	
1"	1450	1450	1450	1450	1450	1365	1260	1450	1450	1450	1450	1365	1260
1 1/4"	1450	1450	1450	1450	1450	1450	1435	1450	1450	1450	1220	1000	870
1 1/2"	1450	1450	1450	1450	1450	1365	1260	1045	1000	945	770	625	535
2"	1450	1450	1450	1450	1450	1450	1360	1115	1060	1015	810	665	580
2 1/2"	1160	1160	1160	1160	1160	1100	900	855	810	655	535	460	
3"	695	695	695	695	695	635	520	495	480	375	320	275	

Limitation for SFC-sliding discs: 570°F

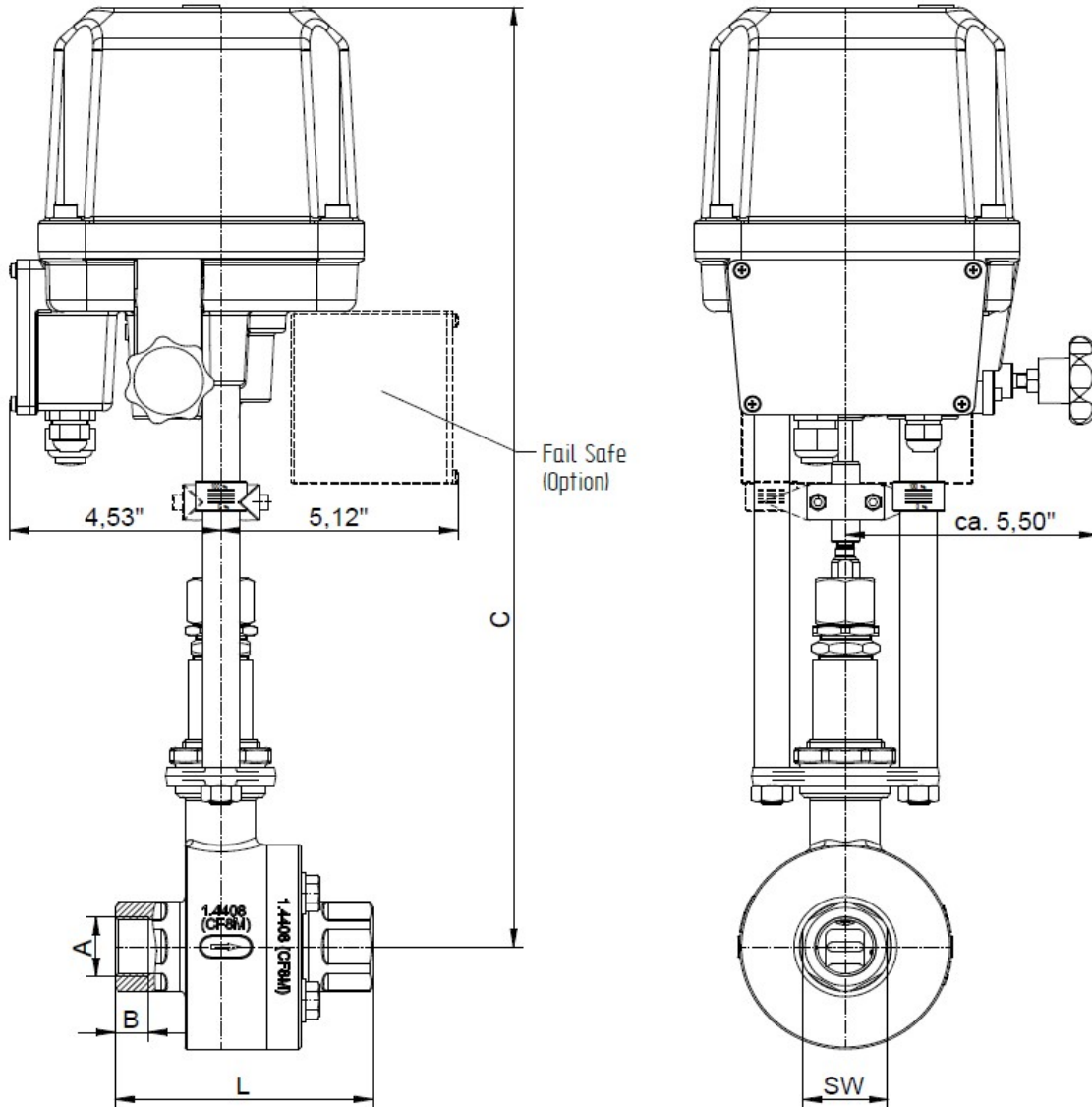
Dimensions and Weights wafer-type construction



DN	ØA	C		L	Stroke	Weight 450 lbf-actuator lbs		Weight 1100 lbf-actuator lbs	
		2kN	5kN			without Fail-Safe	with Fail-Safe	without Fail-Safe	with Fail-Safe
1/2"	2.5	20.6	21.8	2.2	0.2	23.8	27.8	25.8	29.8
3/4"	2.8	20.7	22	2.2	0.2	24.3	28.2	26.2	30.2
1"	3.2	20.9	22.2	2.2	0.2	25.4	29.3	27.3	31.3
1 1/4"	3.5	21.3	22.6	2.2	0.2	26.0	30.0	28.0	32.0
1 1/2"	3.9	21.5	22.8	2.2	0.2	26.9	30.9	28.9	32.8
2"	4.6	21.7	23	2.5	0.3	30.4	34.4	32.4	36.4
2 1/2"	5.4	22.1	23.4	2.7	0.3	34.6	38.6	36.6	40.6
3"	6	22.3	23.6	2.8	0.3	37.0	41.0	39.0	43.0
4"	7.2	22.9	24.2	3	0.3	44.5	48.5	46.5	50.5
5"	8.3	23.3	24.6	3.1	0.3	53.8	57.8	55.8	59.7
6"	9.5	24.1	25.4	3.1	0.3	61.9	65.9	63.9	67.9
8"	11.9	25.3	26.5	3.7	0.3	99.2	103.2	101.2	105.2
10"	14.2	26.3	27.5	3.8	0.3	110.7	114.6	112.7	116.6

Dimensions in inch

Dimensions and Weights with threaded connections



Size	A (G/NPT)	B		C		L	SW	Stroke	Weight 450 lbf-actuator lbs		Weight 1100 lbf-actuator lbs	
		G	NPT	2kN	5kN				without Fail-Safe	with Fail-Safe	without Fail-Safe	with Fail-Safe
1/2"	1/2"	0,6	0,54	20,6	21,8	5	1,2	0,25	28,9	32,8	30,9	34,8
3/4"	3/4"	0,6	0,56	20,7	22	5	1,5	0,25	30,9	34,8	32,8	36,8
1"	1"	0,7	0,66	20,9	22,2	5,5	1,8	0,25	36,8	40,8	38,8	42,8
1 1/4"	1 1/4"	0,7	0,68	21,3	22,6	5,5	2,2	0,25	38,8	42,8	40,8	44,8
1 1/2"	1 1/2"	0,7	0,68	21,5	22,8	6	2,5	0,25	41,7	45,6	43,7	47,6
2"	2"	0,7	0,7	21,7	23	6	2,9	0,3	47,6	51,6	49,6	53,6

Dimensions in inch

Sliding Gate Motor Valve 8038-GS3



Flow Coefficients - Cv-values

Ordering code	-	A	1	B	6	2	7	C	3	4	8	5	9	
Size	Charact.	100 %	63 %	40 %	25 %	20%	16 %	12 %	10 %	6,3 %	2,5 %	2 %	1 %	0,4%
1/2"	(mod.) linear	4.6	3	2	1.6	-	0.82	0.57	0.51	0.3	0.16	0.09	0.05	0.021
	eq. perc.	2	-	1.3	-	0.4	-	-	-	0.12	-	-	-	-
3/4"	(mod.) lin.	7.4	-	-	-	-	1.16	-	-	-	-	0.15	-	-
	eq. perc.	3.5	-	1.7	-	-	-	-	-	-	-	-	-	-
1"	(mod.) linear	13	7.4	4.6	-	-	1.9	-	1.08	0.72	0.3	-	0.16	0.05
	eq. perc.	5.8	-	2.8	-	1.3	-	-	-	0.41	-	-	-	-
1 1/4"	(mod.) linear	19	12	-	-	-	-	-	-	-	-	-	-	-
	eq. perc.	9.3	5.45	-	-	-	-	-	-	-	-	-	-	-
1"	(mod.) lin.	30	19	13	8.1	-	-	-	-	-	-	-	-	-
	eq. perc.	13	9.9	-	3.2	-	-	-	-	-	-	-	-	-
2"	(mod.) linear	52	32	23	14	12	-	-	-	-	-	-	-	-
	eq. perc.	22	14	-	-	-	-	3.5	-	-	-	-	-	-
2 1/2"	(mod.) linear	60	41	-	17	-	-	-	-	-	-	-	-	-
	eq. perc.	35	-	-	9.3	-	-	-	-	-	-	-	-	-
3"	(mod.) linear	107	67	46	-	-	-	-	-	-	-	-	-	-
	eq.perc.	56	41	-	-	-	-	-	-	-	-	-	-	-
4"	(mod.) linear	179	110	72	-	-	-	-	-	-	-	-	-	-
	eq.perc.	89	56	-	-	-	-	-	-	-	-	-	-	-
5"	(mod.) linear	275	-	110	-	-	-	-	-	-	-	-	-	-
	eq.perc.	135	-	-	-	-	-	-	-	-	-	-	-	-
6"	(mod.) linear	392	246	-	-	-	-	-	-	-	-	-	-	-
	eq.perc.	171	104	-	-	-	-	-	-	-	-	-	-	-
8"	(mod.) linear	650	408	-	-	-	-	-	-	-	-	-	-	-
	eq.perc.	329	-	-	-	-	-	-	-	-	-	-	-	-
10"	(mod.) linear	1056	667	-	-	-	-	-	-	-	-	-	-	-
	eq.perc.	-	-	-	-	-	-	-	-	-	-	-	-	-