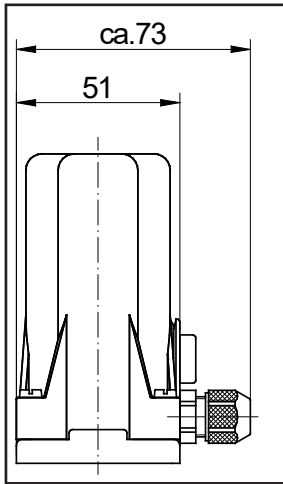
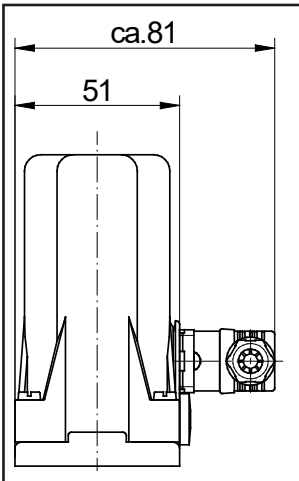


for pneumatical piston actuators

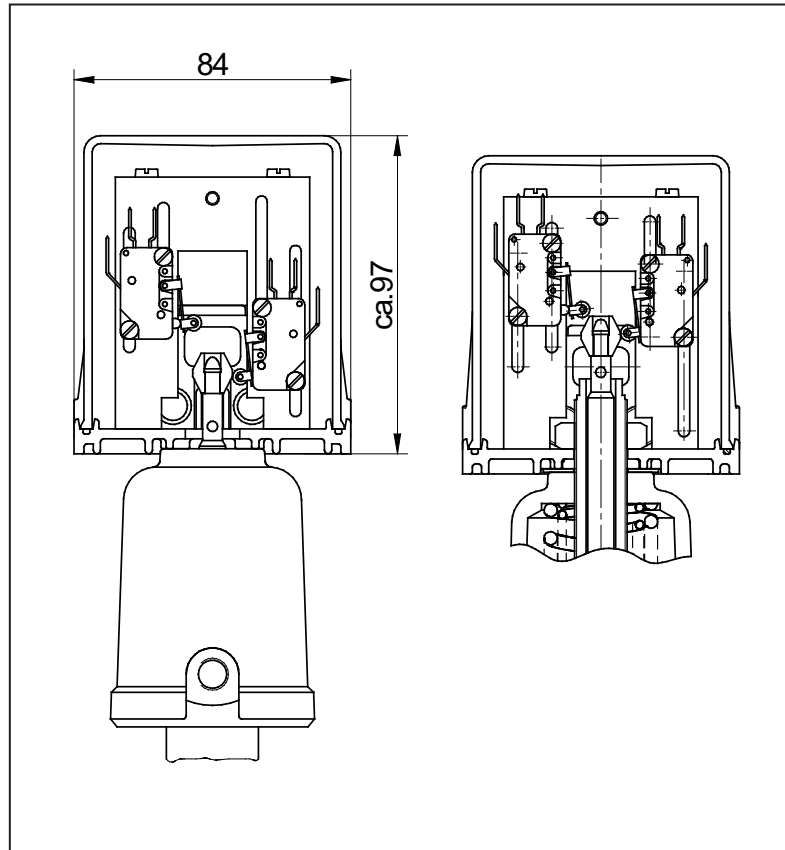
Cable Bushing



Plug-Type Connection



Protection Class of the body IP65



Standard Switches

Inductive Proximity Switches

| | |
|-------------------------------|-----------------------|
| Breaking capacity | 200 mA |
| Voltage | 10-36 V DC |
| Ambient temperature | -25°C bis +70°C |
| Protection of the switches | IP 65 |
| In Order Number designated as | |
| 1 switch | PM (cable), PN (plug) |
| 2 switches | MM (cable), MN (plug) |

Mechanical Switch (Micro Switch)

| | | |
|-------------------------------|-------------------------------|-----------|
| Breaking Capacity | 16 A | 5 A |
| Voltage | 250 V AC | 4-30 V DC |
| Ambient Temperature | -20°C up to +80°C | |
| Protection of the switches | IP40 | |
| Mechanical Lifetime | 2 x 10 ⁷ Operation | |
| In Order Number designated as | | |
| 1 switch | 1M (cable), 1N (plug) | |
| 2 switches | 2M (cable), 2N (plug) | |

Special Switches

Ex-Proof Inductive Proximity Switch acc. DIN 19 234 (NAMUR)

| | |
|-------------------------------|-----------------------|
| Voltage | 8 V DC |
| Amb. Temperature | -25°C up to +80°C |
| Protection of the switches | IP 67 |
| Ex-Class | II 1 G EEx ia IIC T6 |
| In Order Number designated as | |
| 1 switch | 9M (cable), 9N (plug) |
| 2 switches | DM (cable), DN (plug) |

Inductive Proximity Switches for High Operating Voltages*

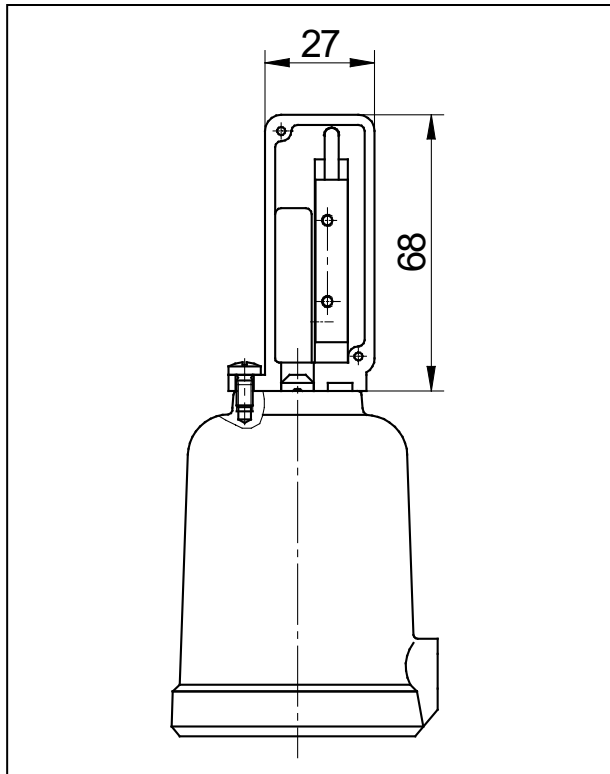
| | |
|-------------------------------|-------------------|
| Breaking capacity | 250 mA |
| Voltage | 20-250 V AC/DC |
| Ambient temperature | -25°C up to +80°C |
| Protection of the switches | IP 67 |
| In Order Number designated as | |
| 1 switch | QM (cable) |
| 2 switches | AM (cable) |

* No plug-type connection

Position Indicator, compact version

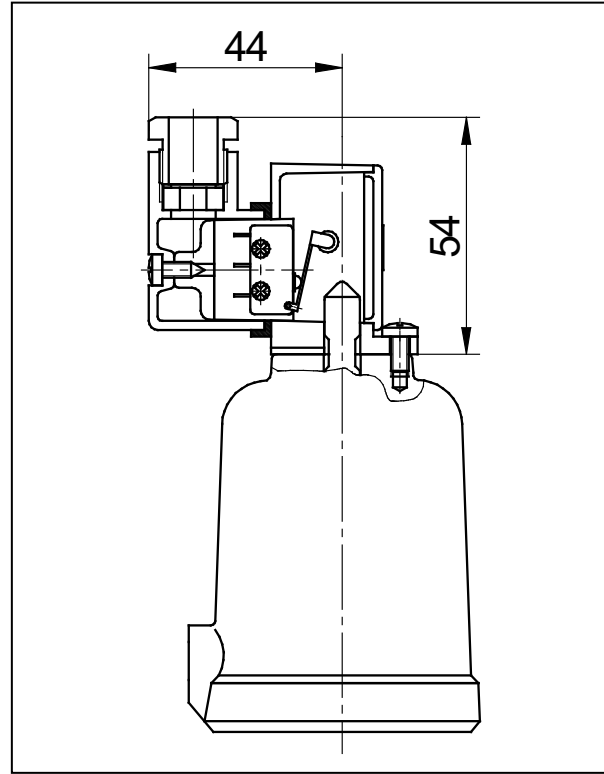
for types 7010, 7030, 7031, 7070, 7080

Inductive Proximity Switch (PNP)



| | |
|----------------------------------------------------------------|-----------------|
| Breaking capacity | 200 mA |
| Voltage | 10-36 V DC |
| Ambient temperature | -25°C bis +70°C |
| Protection | IP 67 |
| In Order Number designated as 1 switch (upper switching point) | T |

Mechanical Switch



| | |
|----------------------------------------------------------------|------------------------------------------------------------------------------------------------------|
| Breaking capacity | 5 A 230 V AC (resistor) 5 A 230 V AC (coil) 0.5 A 230 V AC (filament lamp) 2 A 15 - 30 V DC |
| Ambient temperature | -25°C up to +80°C |
| Protection of the switch | IP 40 |
| Working life | >106 operations |
| In Order Number designated as 1 switch (upper switching point) | K |

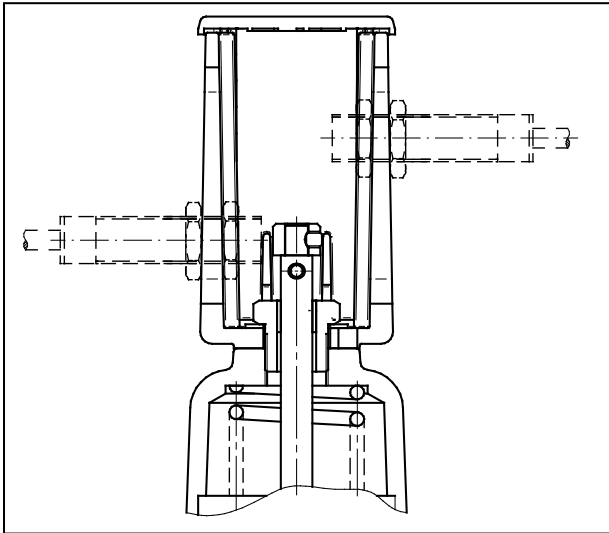
Position Indicator, compact version



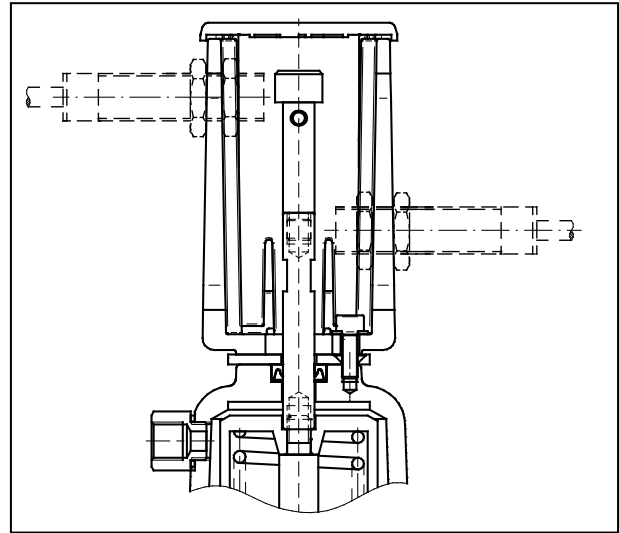
for types 7010, 7030, 7031, 7070, 7080

Feedback-unit for limit switch M12x1

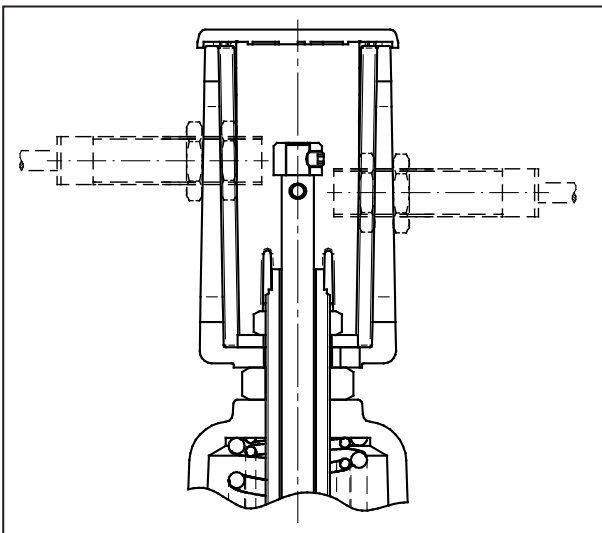
spring closes



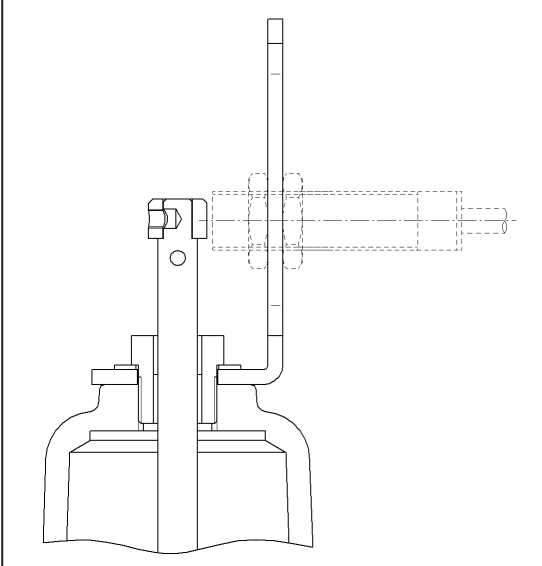
spring opens




with stroke limitation



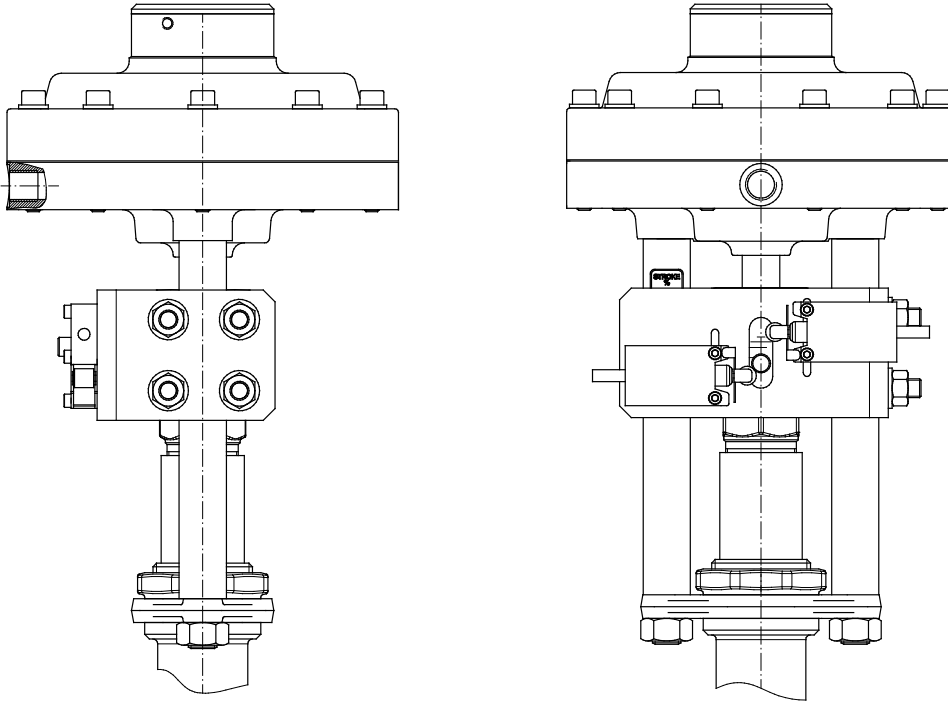
Mounting angle for ind. Limit switch M12x1



 For use in closed systems only.
Movable components must not be accessible after installation in a system.
Alternatively, the feedback unit can be used.

Position Indicator 9010

Contact switch (micro switch) for GS-Valve



Inductive proximity switches for GS-Valve with membrane actuator

