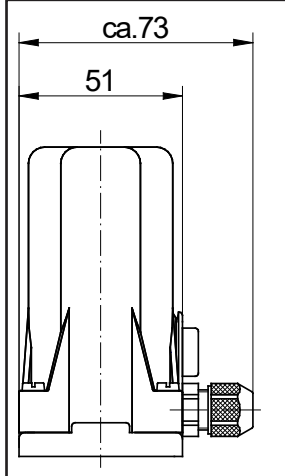


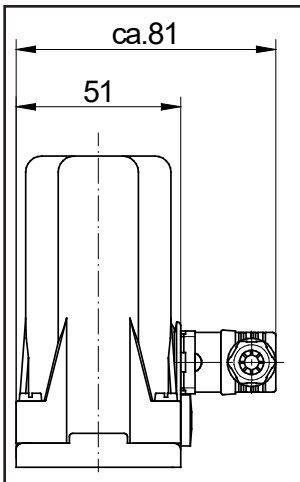
Position Indicator 9010

for pneumatical piston actuators

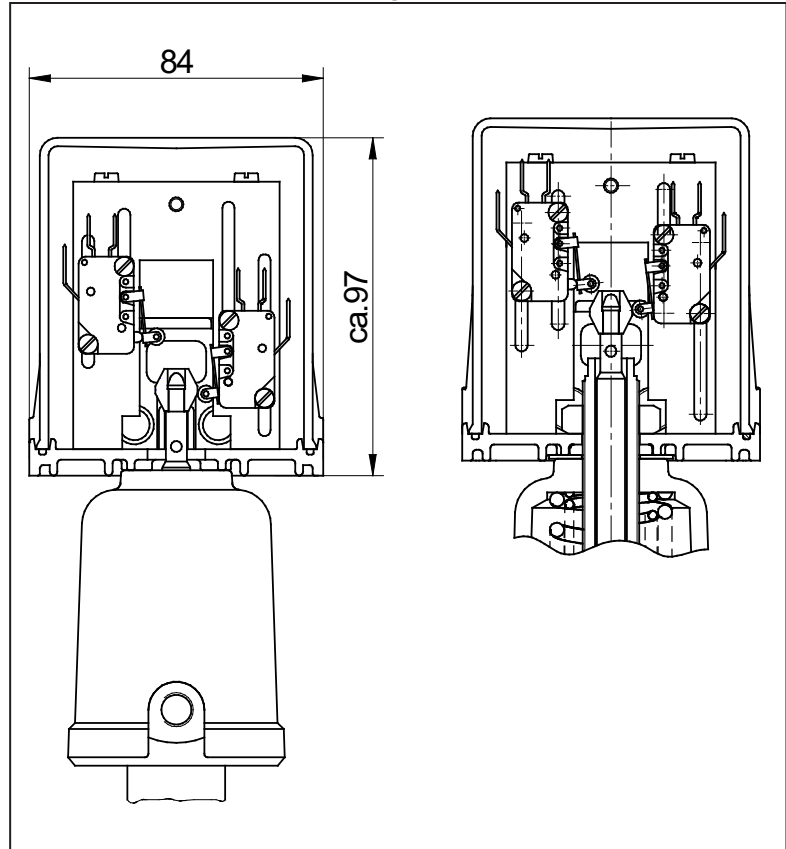
Cable Bushing



Plug-Type Connection



Protection Class of the body IP65



Standard Switches

Inductive Proximity Switches

Breaking capacity	200 mA
Voltage	10-36 V DC
Ambient temperature	-13°F up to +158°F
Protection of the switches	IP 65
In Order Number designated as	
1 switch	PM (cable), PN (plug)
2 switches	MM (cable), MN (plug)

Mechanical Switch (Micro Switch)

Breaking Capacity	16 A	5 A
Voltage	250 V AC	4-30 V DC
Amb. Temperature	-4°F up to +176°F	
Protection of the switches	IP40	
Mech. Lifetime	2 x 10 ⁷ Operation	
In order number designated as		
1 switch	1M (cable), 1N (plug)	
2 switches	2M (cable), 2N (plug)	

Special Switches

Ex-Proof Inductive Proximity Switch acc. DIN 19 234 (NAMUR)

Voltage	8 V DC
Amb. Temperature	-13°F up to +176°F
Protection of the switches	IP 67
Ex-Class	II 1 G EEx ia IIC T6
In Order Number designated as	
1 switch	9M (cable), 9N (plug)
2 switches	DM (cable), DN (plug)

Inductive Proximity Switches for High Operating Voltages*

Breaking capacity	250 mA
Voltage	20-250 V AC/DC
Ambient temperature	-13°F up to +176°F
Protection of the switches	IP 67
In Order Number designated as	
1 switch	QM (cable)
2 switches	AM (cable)

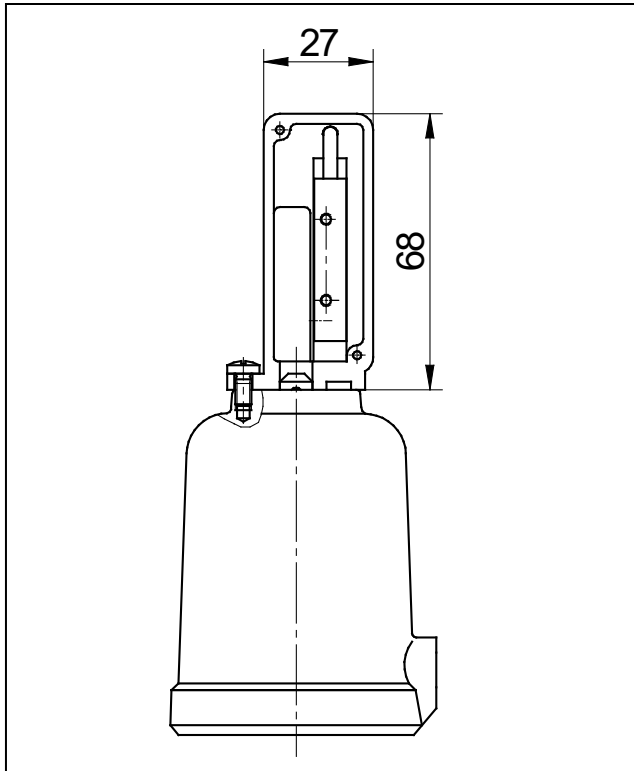
* No plug-type connection

Position Indicator, compact version 9010



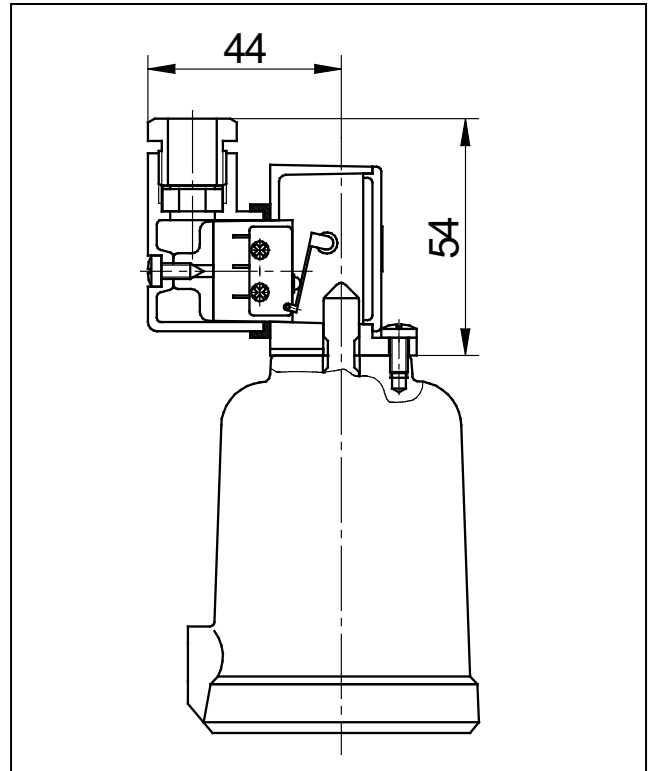
for types 7010, 7030, 7031, 7070, 7080

Inductive Proximity Switch (PNP)



Breaking capacity	200 mA
Voltage	10-36 V DC
Ambient temperature	-13°F up to +158°F
Protection	IP 67
In Order Number designated as 1 switches (upper switching point)	T

Mechanical Switch



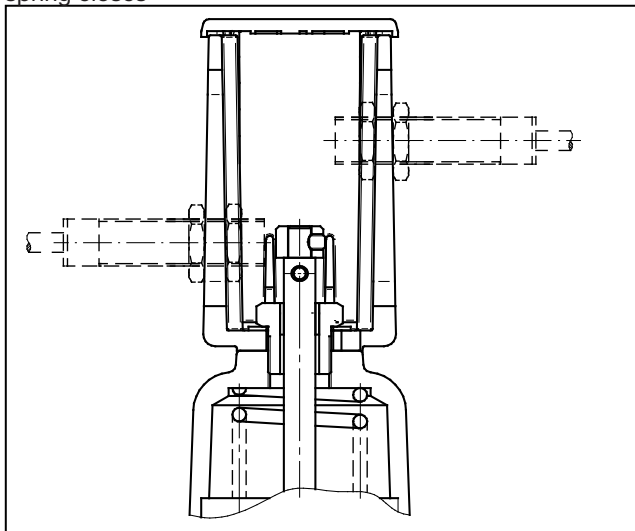
Breaking capacity	5 A 230 V AC (resistor) 5 A 230 V AC (coil) 0.5 A 230 V AC (filament lamp) 2 A 15 - 30 V DC
Ambient temperature	-13°F up to +176°F
Protection of the switch	IP 40
Working life	>106 operations
In Order Number designated as 1 switch (upper switching point)	K

Position Indicator, compact version 9010 for types 7010, 7030, 7031, 7070, 7080

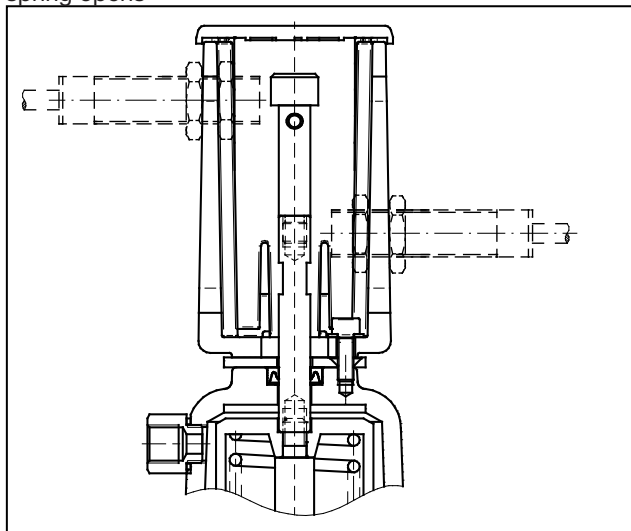


Feedback-unit for limit switch M12x1

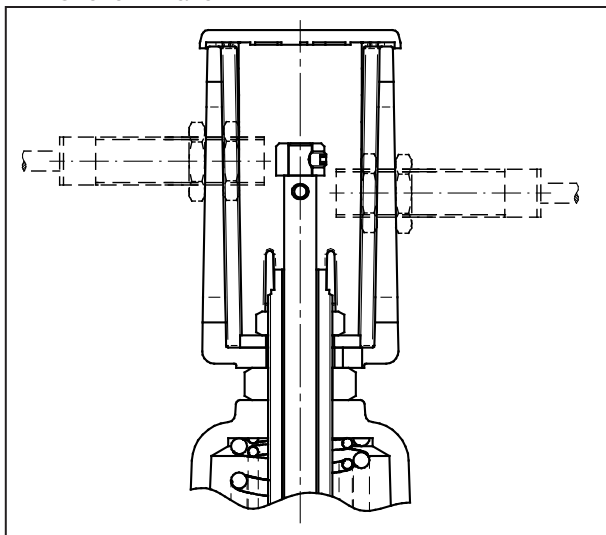
spring closes



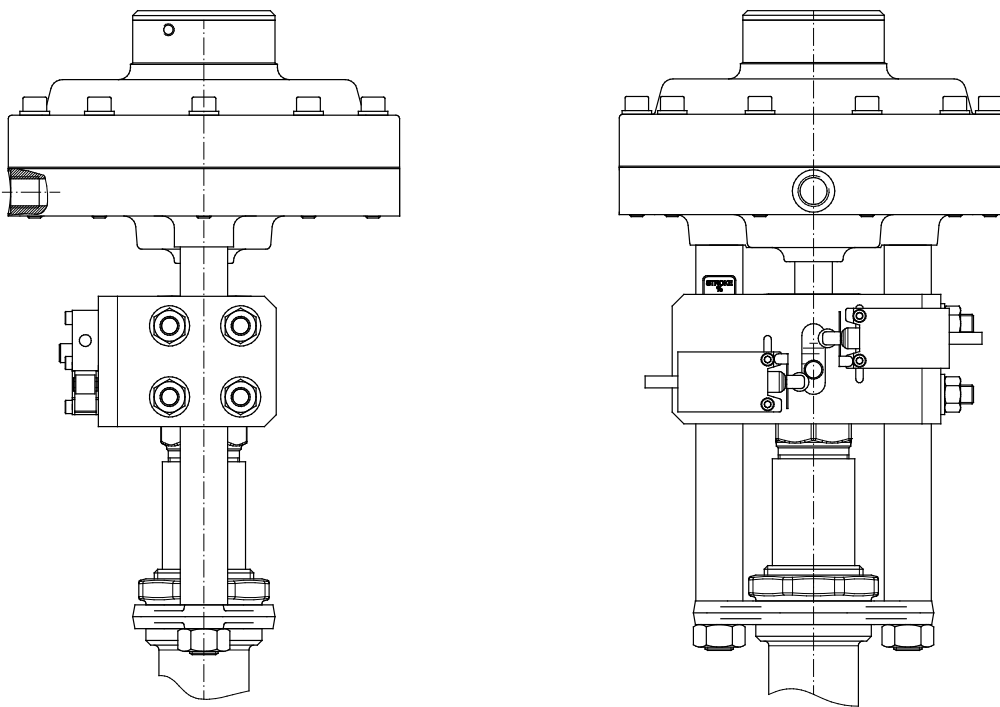
spring opens



with stroke limitation



Contact switch (micro switch) for GS-Valve



Inductive proximity switches for GS-Valve with membrane actuator

